

**BEZZERA**

Dal 1901

**BZ10**

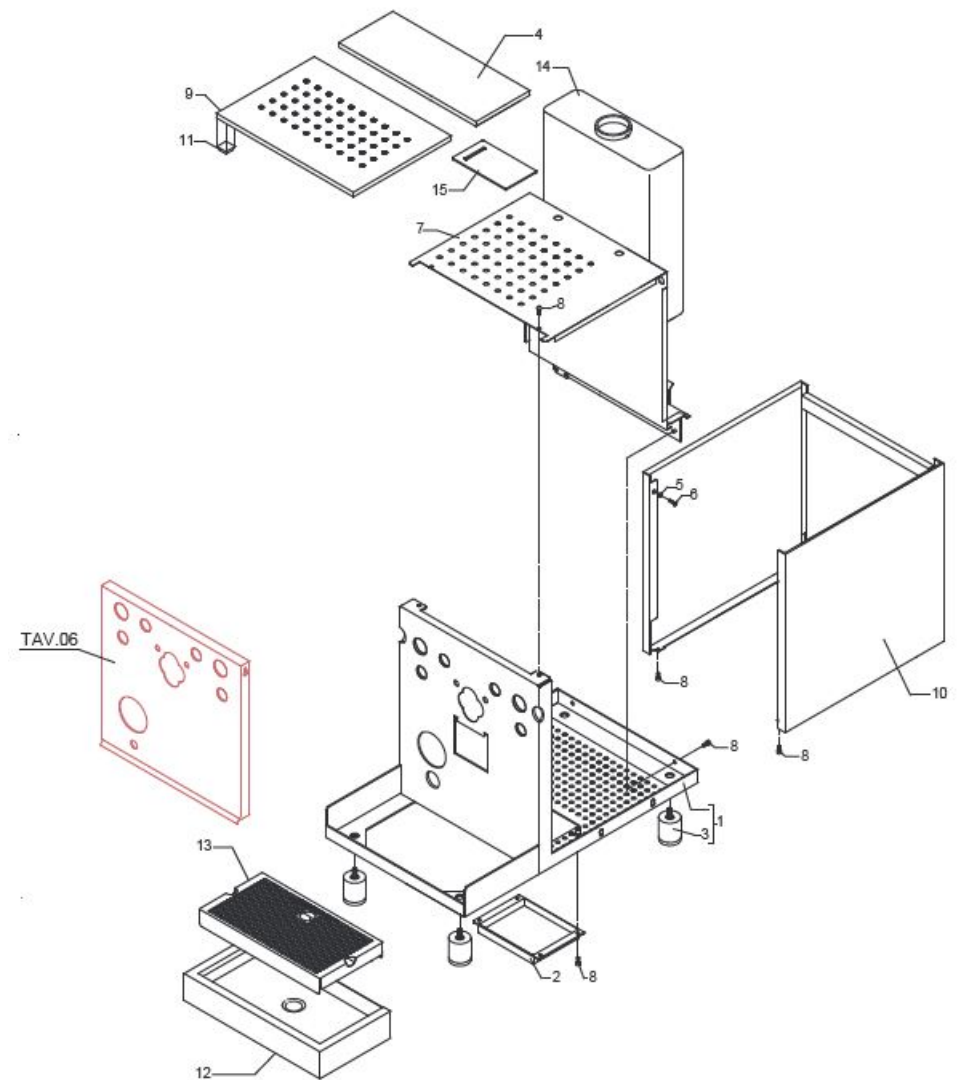
**COD. 9942047.05**

**REV. 03 ed.04/17**



TABLE 1 - (up to 30/11/2015)  
BZ10

POS	CODE	DESCRIPTION
1	5964593.02	ASSEMBLY BLACK CHASSIS
2	5373102.01	HEATING ELEMENT PROTECTION
3	7474218	FEET M10 D40X46
4	5073020LW	TRAY COVER STAINLESS
5	5220818	BUSHING D10 X 4.2 OT
6	7817004	SCREW TPS M4X10 DIN 963 A2
7	5963068.02LL	TANK SUPPORT T.PID
8	7816004	SCREW TCEI M4 X 16
9	5074621LW	CUPS-HEATER GRID BZ07 BA
10	5071733LL	BODY STAINLESS STEEL POLISHED
11	7474217	ADHESIVE FEET 12,7 H5,8
12	5340510	DRIP TRAY
13	5074622LW	DRAIN GRID
14	7373009	TANK 3 LT. CAPACITY
15	5125705	SUPPORT

TABLE 1 - (up to 30/11/2015)  
BZ10

**BEZZERA**

**BZ10**

TABLE 1 - (from 01/12/2015 )  
BZ10

POS	CODE	DESCRIPTION
1	5964593.03	ASSEMBLY BLACK CHASSIS
2	5373102.01	HEATING ELEMENT PROTECTION
3	7474218	FEET M10 D40X46
4	5073020LW	TRAY COVER STAINLESS
5	5521512	LABLE
7	5963068.03LL	TANK SUPPORT
8	7816004	SCREW TCEI M4 X 16
9	5074621LW	CUPS-HEATER GRID BZ07 BA
10	5071733LL	BODY STAINLESS STEEL POLISHED
11	7474217	ADHESIVE FEET 12,7 H5,8
12	5340510	DRIP TRAY
13	5074622LW	DRAIN GRID
14	7373009	TANK 3 LT. CAPACITY
15	5125705	SUPPORT

**BEZZERA**

**BZ10**

TABLE 1 - (from 01/12/2015 )  
BZ10

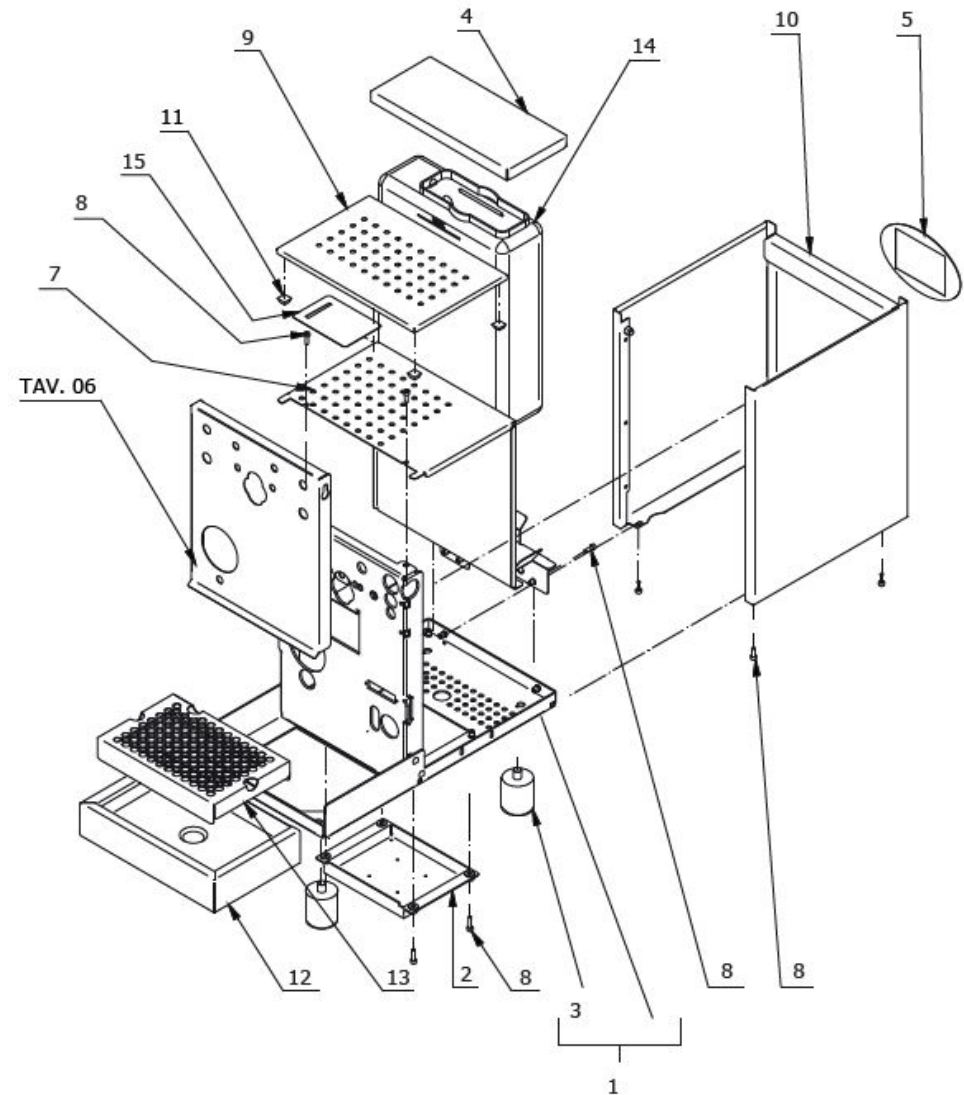


TABLE 2 - (up to 18/03/2013)  
BZ10

POS	CODE	DESCRIPTION
1	5283049	SURPRESSION VALVE BODY
2	7496018	OR GASKET 105 VITON
3	5224615TP	GASKET-HOLDER
4	5471506.01	CALIBRATED SPRING D1 H26 AISI 302
5	5471505	SPRING
6	5302017TP	STRAIGHT FITTING M12 H26.5 OT
7	5493001	GASKET D8 X 4 EPT 70SH
8	5224619TP	GASKET-HOLDER
9	7496052	OR GASKET 114
10	5302072	RUBBER-HOLDER FITTING
11	5965165	ASSEMBLY SURPRESSION VALVE 12BAR
12	5221844	NUT 1/8"
13	7304514TR	FITTING
14	7496018	OR GASKET 105 VITON
15	7452512	VALVE
16	7496085	OR GASKET D7.2X1.9 NBR 70SH
17	7304507TR	UNION ELBOW 1/8"
18	5225411TP	FITTING 1/8"
19	5301504TR	UNION ELBOW 1/8"
20	5162303.01LL	BOILER LOAD HOSE
21	7630328	SOLENOID VALVE COIL 220/230V PARKER
21	7630327	SOLENOID VALVE COIL 110V PARKER
21	7630329	SOLENOID VALVE COIL 240V PARKER
22	7702310	SOLENOID VALVE 2 WAY 230V PARKER
22	7701111	SOLENOID VALVE 2 WAY 115V PARKER
22	7702409	SOLENOID VALVE 2 WAY 240V PARKER
23	5194586	HOSE 8X5 L=200 SILICONE
24	7303033	FITTING
25	5194610	HOSE 6X4 L=250 SILICONE
26	5194571	HOSE D6X4X1 L=200 SILICONE

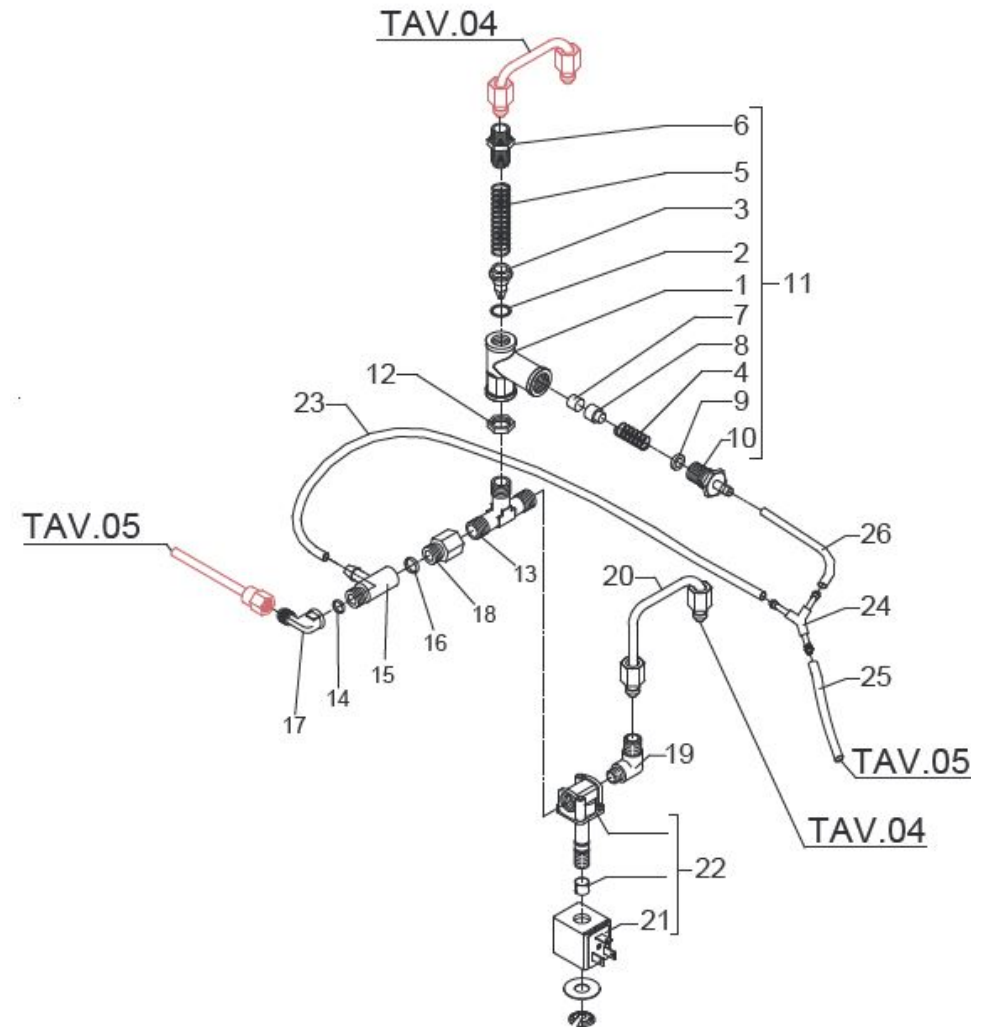
TABLE 2 - (up to 18/03/2013)  
BZ10

TABLE 2 - (from 19/03/2013 )  
BZ10

POS	CODE	DESCRIPTION
1	5283053TP	SURPRESSION VALVE BODY
2	7496018	OR GASKET 105 VITON
3	5224615TP	GASKET-HOLDER
4	5471539	CALIBRATED SPRING D.1,6
5	5471505	SPRING
6	5302017TP	STRAIGHT FITTING M12 H26.5 OT
7	5493042	GASKET D.11X3
8	5224620TP	GASKET-HOLDER
9	7496052	OR GASKET 114
10	5302077TP	RUBBER-HOLDER FITTING
11	5965212.01AL	ASSEMBLY SURPRESSION VALVE 12BAR
12	5221844	NUT 1/8"
13	7304514TR	FITTING
14	7496018	OR GASKET 105 VITON
15	7452512	VALVE
16	7496085	OR GASKET D7.2X1.9 NBR 70SH
17	7303034TR	UNION ELBOW 1/8"
17	7304507TR	UNION ELBOW 1/8"
18	5225411TP	FITTING 1/8"
19	5301504TR	UNION ELBOW 1/8"
20	5162303.01LL	BOILER LOAD HOSE
21	7630328	SOLENOID VALVE COIL 220/230V PARKER
21	7630327	SOLENOID VALVE COIL 110V PARKER
21	7630329	SOLENOID VALVE COIL 240V PARKER
22	7701111	SOLENOID VALVE 2 WAY 115V PARKER
22	7702409	SOLENOID VALVE 2 WAY 240V PARKER
22	7702310	SOLENOID VALVE 2 WAY 230V PARKER
23	5194571	HOSE D6X4X1 L=200 SILICONE
24	7303033	FITTING
25	5194610	HOSE 6X4 L=250 SILICONE

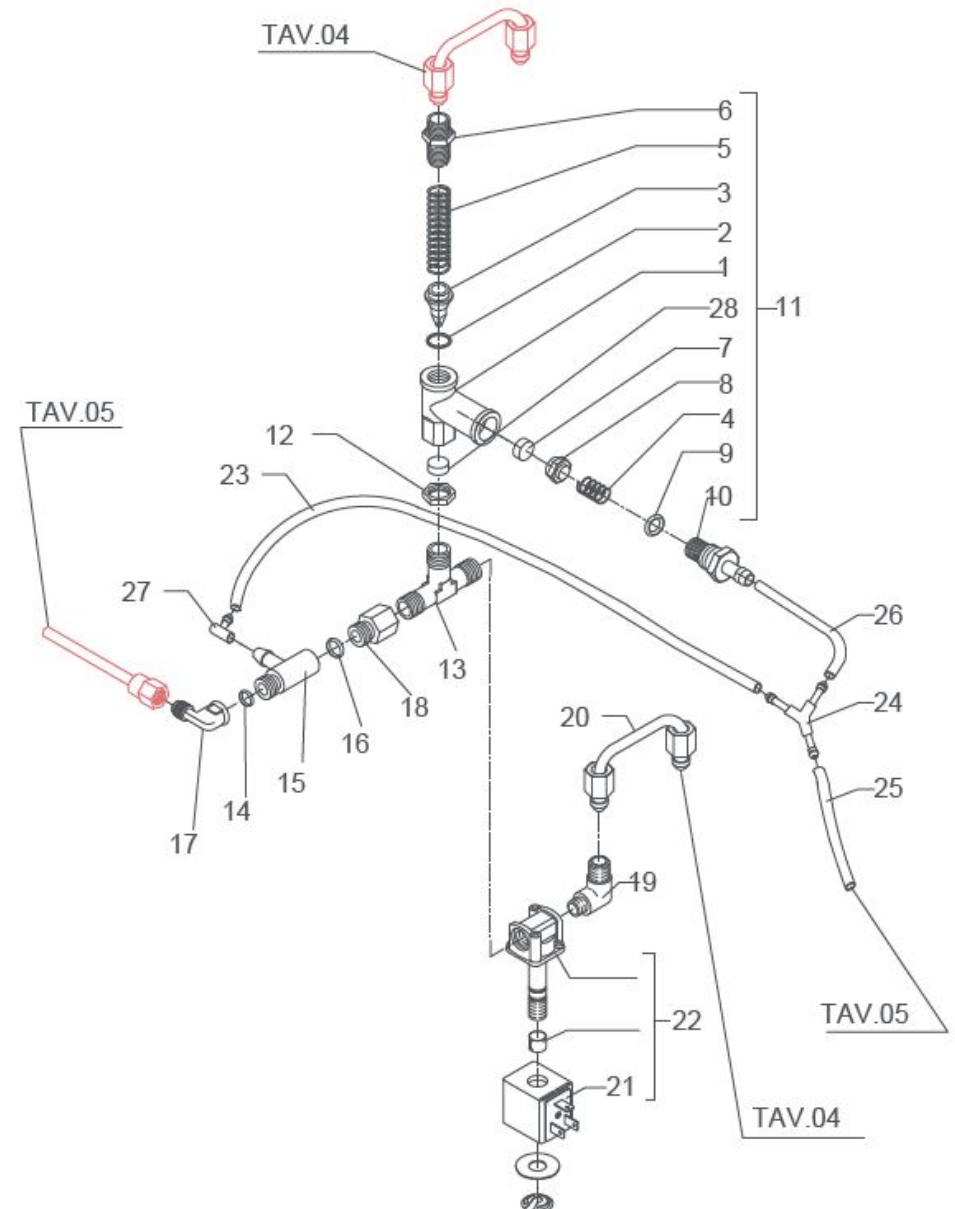
TABLE 2 - (from 19/03/2013 )  
BZ10

TABLE 2 - (from 19/03/2013 )  
BZ10

POS	CODE	DESCRIPTION
26	5194571	HOSE D6X4X1 L=200 SILICONE
27	7303006	RUBBER-HOLDER FITTING
28	5471019	INOX WIRE FILER D8,5X5 AISI304

TABLE 2 - (from 19/03/2013 )  
BZ10

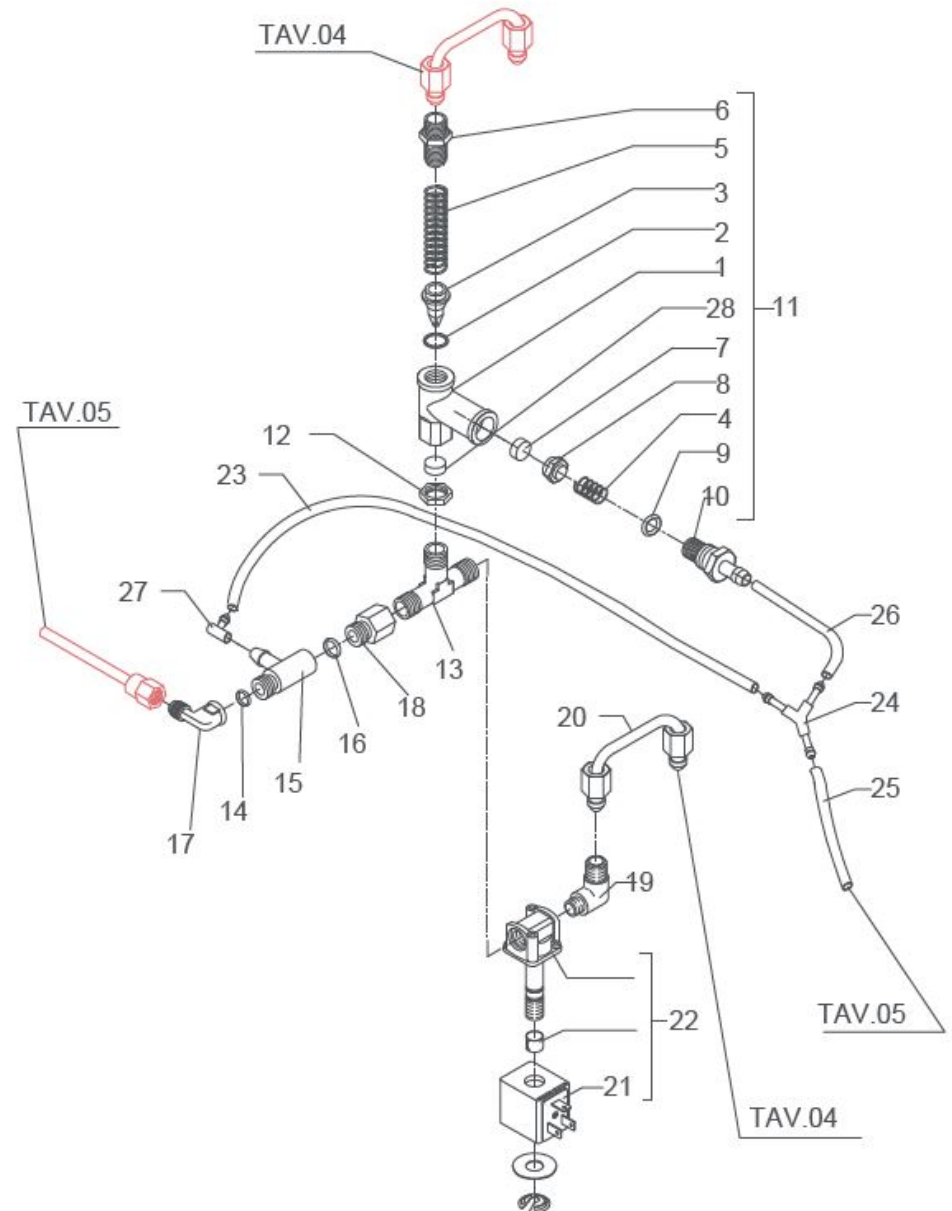


TABLE 3 - (up to 28/01/2014)  
BZ10

POS	CODE	DESCRIPTION
1	7371511.01	LEVER KNOB
2	5222823CM	RING NUT 3/8"
3	5225608	ARTICULATION M8 INOX
4	5260203DL	SHAFT D12X47
5	5471513	SPRING
6	5261801	WASHER D11
7	5494004	GASKET D12 X 6 PTFE GRAPHITIZED
8	5221826CM	NUT 3/8"
9	5283047TW	TAP BODY OT
10	5496042	GASKET D11X4X4 EPT 70 (C6)
11	5224603TP	GASKET-HOLDER
12	5964084AL	ASSEMBLY TAP
13	5225410TP	FITTING M14XM13 H26
15	7496072	OR GASKET 121
16	5471532	SPRING
17	5190501	COMPLETE CUP
18	5221872TW	NUT 3/8"
19	7496073	GASKET OR 115 EP856
20	5225607TW	WATER HOSE CHROMED
21	7496003	OR GASKET 108 VITON
22	5226610TW	WATER HOSE TERMINAL D23.5X18 OT CHROMED
23	5493003	GASKET D20.5X15 H1.5 NBR 70SH
24	5226601TW	WATER HOSE TERMINAL M22 CHROMED
25	7479958	ASSEMBLY STEAM HOSE TERMINAL 4 HOLES
26	7371003	INSULATING
27	7496083	OR GASKET D4.5X1.5 NBR 70
28	7305010	TERMINAL 4 HOLES
29	7305013	TERMINAL 2 HOLES
30	7479975	ASSEMBLY STEAM HOSE TERMINAL 2 HOLES
31	5221872TW	NUT 3/8"

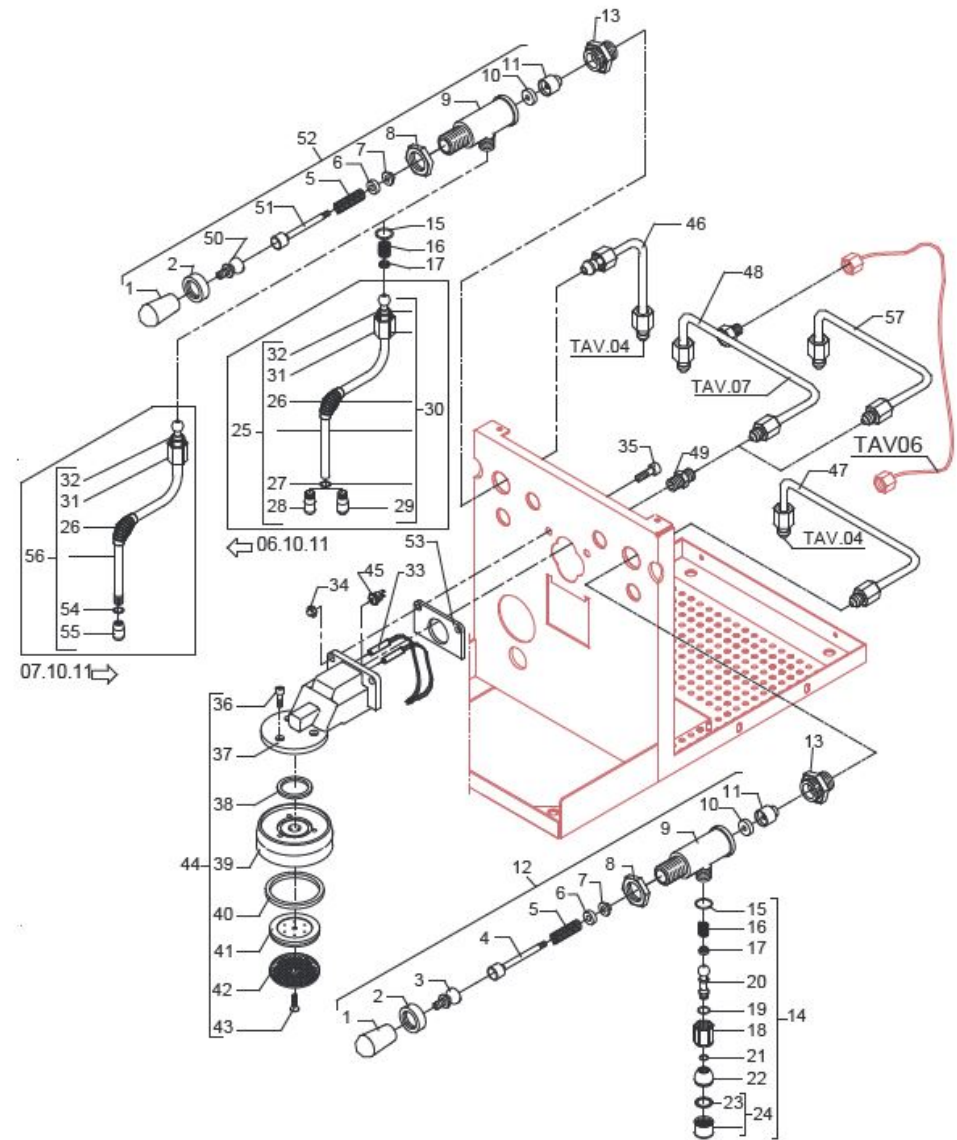
TABLE 3 - (up to 28/01/2014)  
BZ10

TABLE 3 - (up to 28/01/2014)  
BZ10

POS	CODE	DESCRIPTION
32	7496073	GASKET OR 115 EP856
33	5963098.01	ASSEMBLY HEATING ELEMENT 220/240V
33	5963097.01	ASSEMBLY HEATING ELEMENT 110V
34	5221863CM	CAP NUT M8 CHROMED
35	7816014	SCREW M8X20 UNI5931 A2
36	7816001	SCREW TCEI M5X12 UNI5931 A2
37	5283046TW	DELIVERY GROUP BODY
38	7496004	OR GASKET 139
39	5280502TW	COUPLING RING OT CHROMED
40	7493016	GASKET H 9,3 NBR 75SH
41	5285501TP	SHOWER-HOLDER D57
42	5470501	SHOWER D57 AISI 304
43	7817001	SCREW TPS M5X16 A2
44	5963548.01AL	ASSEMBLY DELIVERY GROUP
45	7634808	THERMIC SAFETY DEVICE 250V 95°C AUTOMATIC
46	5162301LL	STEAM TAP HOSE
47	5162310LL	WATER TAP HOSE
48	5162309LL	GROUP-SOLENOID VALVE HOSE WHIT DUAL GAUGE SCALE
49	7304502TR	STRAIGHT FITTING 1/8
50	5225610	ARTICULATION M8 INOX
51	5260204DL	SHAFT D12X47
52	5964085AL	ASSEMBLY TAP
53	7493013	INSULATING
54	7496084	GASKET
55	7305014	TERMINAL 2 HOLES
56	7479990TW	ASSEMBLY STEAM HOSE TERMINAL 2 HOLES
57	5162305LL	GROUP-SOLENOID VALVE HOSE (from 01.01.12)

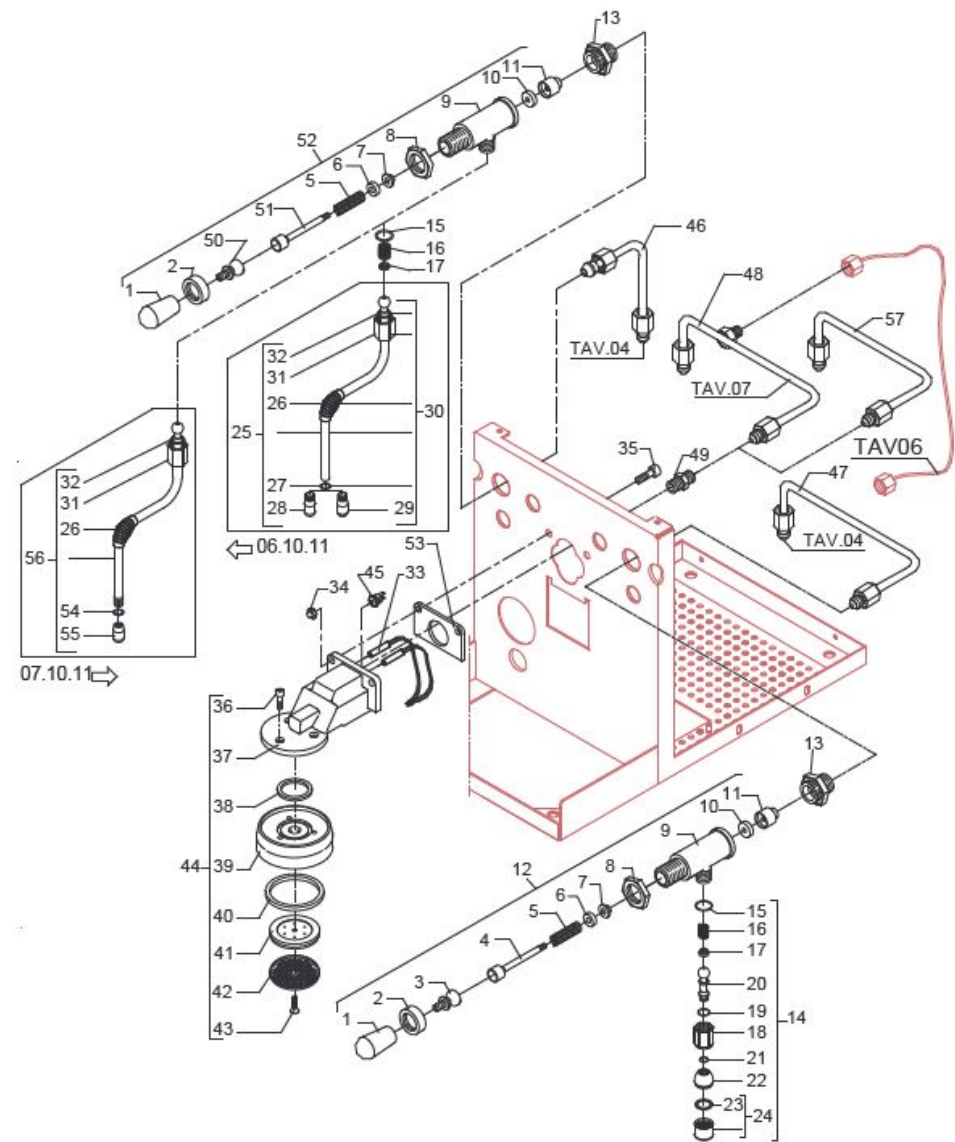
TABLE 3 - (up to 28/01/2014)  
BZ10



TABLE 3 - (from 29/01/2014 )  
BZ10

POS	CODE	DESCRIPTION
1	7371511.01	LEVER KNOB
2	5222823CM	RING NUT 3/8"
3	5225608	ARTICULATION M8 INOX
4	5260203DL	SHAFT D12X47
5	5471513	SPRING
6	5261801	WASHER D11
7	5494004	GASKET D12 X 6 PTFE GRAPHITIZED
8	5221826CM	NUT 3/8"
9	5283055TW	TAP BODY OT FOR OR
10	5496042	GASKET D11X4X4 EPT 70 (C6)
11	5224603TP	GASKET-HOLDER
12	5964084.01AL	ASSEMBLY TAP WITH OR
14	5966548.02AL	ASSEMBLY WATER HOSE
15	7496072	OR GASKET 121
16	5471532	SPRING
17	5190501	COMPLETE CUP
18	5226601TW	WATER HOSE TERMINAL M22 CHROMED
19	5493003	GASKET D20.5X15 H1.5 NBR 70SH
20	7999918	JET-BREAKER AERATOR CARTRIGE
21	7479990.01TW	ASSEMBLY STEAM HOSE TERMINAL 2 HOLES
22	5494017	OR GASKET 115 EP856
23	5221872TW	NUT 3/8"
24	7371003	INSULATING
25	7496084	GASKET
26	7305014	TERMINAL 2 HOLES
33	5963098.01	ASSEMBLY HEATING ELEMENT 220/240V
33	5963097.01	ASSEMBLY HEATING ELEMENT 110V
34	5221863CM	CAP NUT M8 CHROMED
35	7816014	SCREW M8X20 UNI5931 A2
36	7816001	SCREW TCEI M5X12 UNI5931 A2

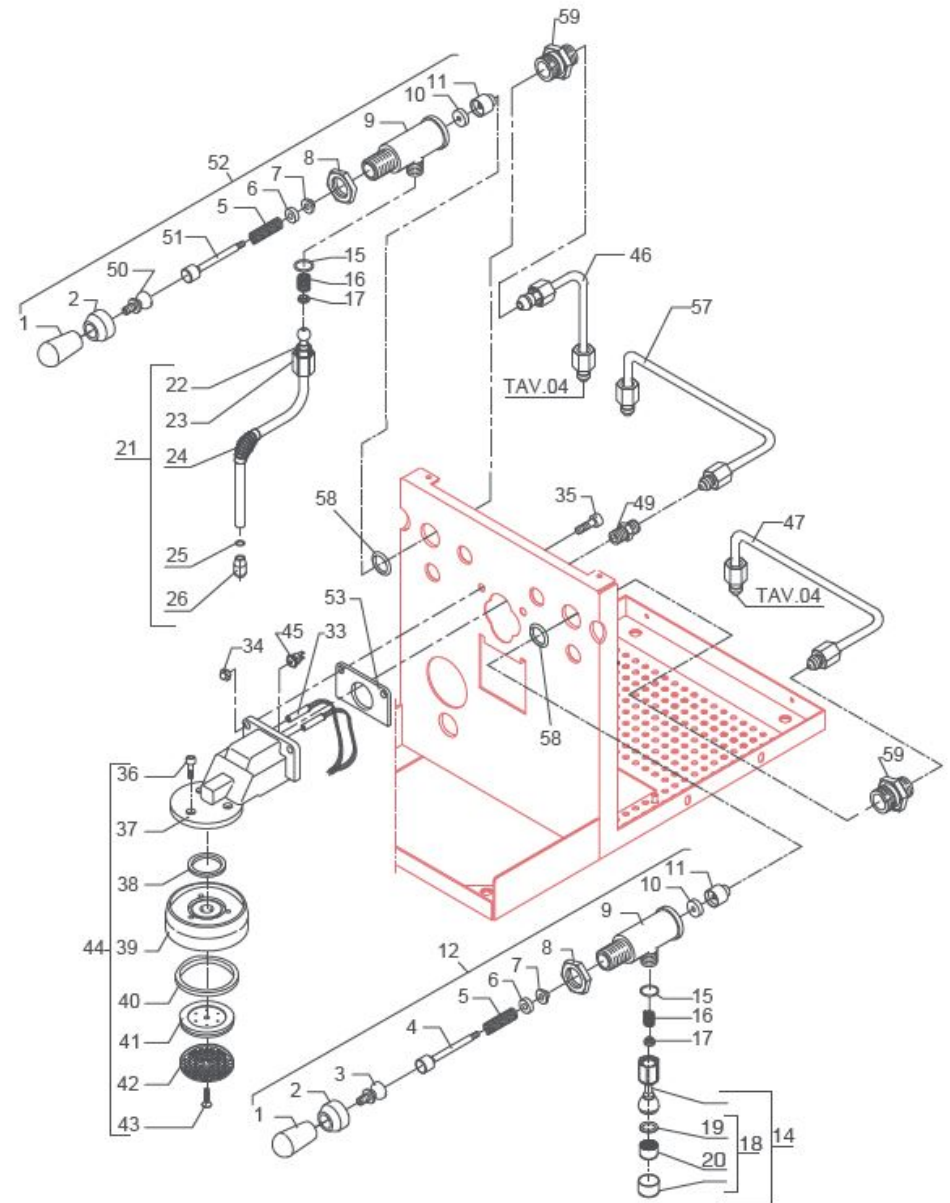
TABLE 3 - (from 29/01/2014 )  
BZ10

TABLE 3 - (from 29/01/2014 )  
BZ10

POS	CODE	DESCRIPTION
37	5283046TW	DELIVERY GROUP BODY
38	7496004	OR GASKET 139
39	5280502TW	COUPLING RING OT CHROMED
40	7496097	OR GASKET 55X8 NBR
41	5285501TP	SHOWER-HOLDER D57
42	5470501	SHOWER D57 AISI 304
43	7817001	SCREW TPS M5X16 A2
44	5963548.02AL	ASSEMBLY DELIVERY GROUP
45	7634808	THERMIC SAFETY DEVICE 250V 95°C AUTOMATIC
46	5162301LL	STEAM TAP HOSE
47	5162310LL	WATER TAP HOSE
49	7304502TR	STRAIGHT FITTING 1/8
50	5225610	ARTICULATION M8 INOX
51	5260204DL	SHAFT D12X47
52	5964085.01AL	ASSEMBLY TAP WITH OR
53	7493013	INSULATING
57	5162305LL	GROUP-SOLENOID VALVE HOSE (from 01.01.12)
58	7496052	OR GASKET 114
59	5225416TP	FITTING M14X1 WHIT OR

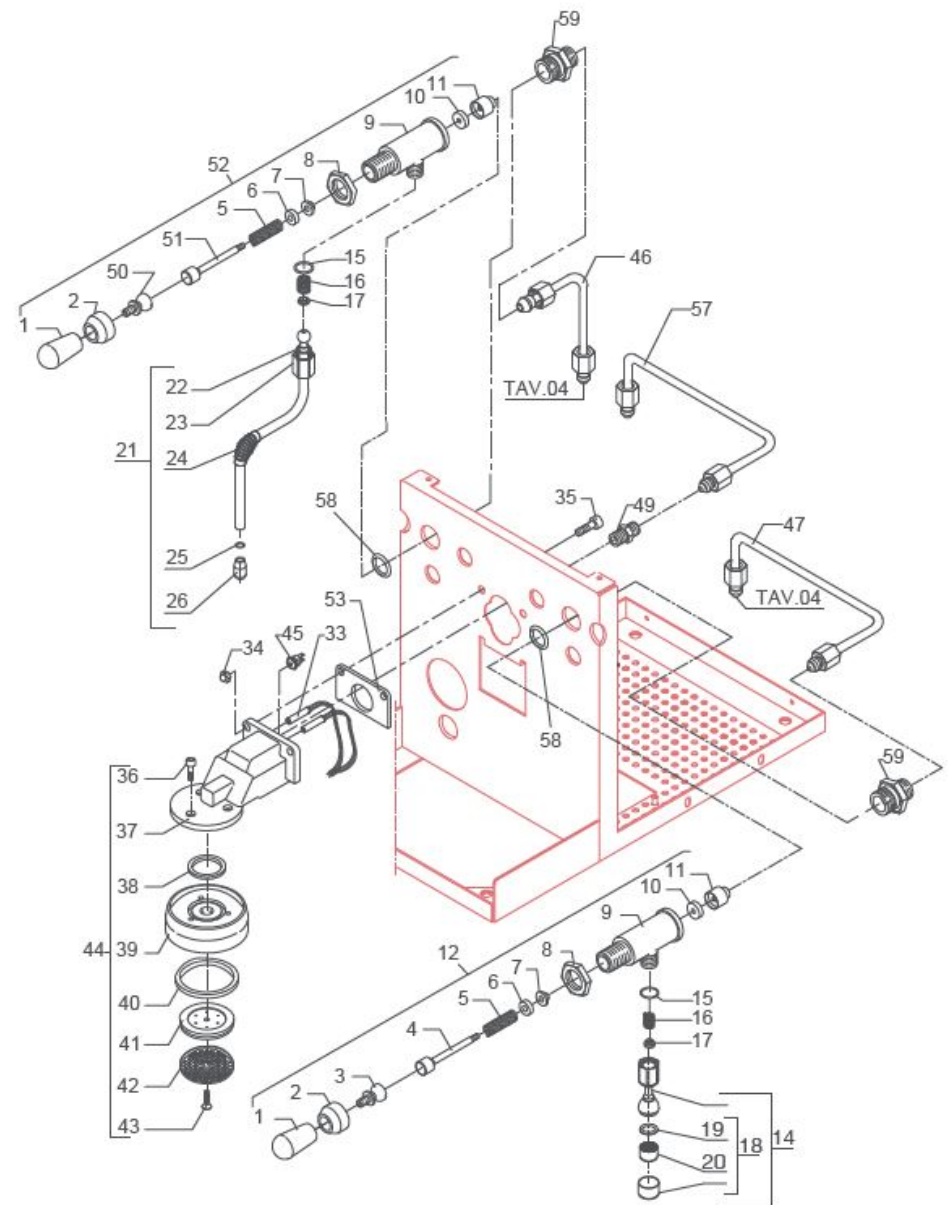
TABLE 3 - (from 29/01/2014 )  
BZ10

TABLE 4A  
BZ10

POS	CODE	DESCRIPTION
1	5226405TP	PLUG 1/4"
2	7492003	GASKET D6.5
3	5225205	STRAIGHT FITTING M10 OT
4	5192001	PROBE SHEATH D8 X 45 HOLE D3 PTFE
5	5225209TP	STRAIGHT FITTING 1/4"
6	5265804	LEVEL PROBE 1GR D3 X 110 X 6.3
7	7816002	SCREW TCEI M4X12
8	7825003	WASHER D5X1 UNI 6592 OT
9	5320520.01TP-AL	BOILER
10	7816409	SCREW TE M4X8 UNI 5739 A2
11	7496040	OR GASKET D73 X 3 VITON
12	5721007AL	HEATING ELEMENT V100 W1200
12	5722239.01AL	HEATING ELEMENT 220/240V W1100-1300
12	5721128AL	HEATING ELEMENT V110/120 W1200
13	7816422	SCREW TE M6X14 UNI 5739 OT
15	7634819	THERMIC SAFETY DEVICE 250V 130°C
16	7822603	NUT M4
17	5226411TP	PLUG 1/8"
18	7663573	GROUND WIRE
19	7814001	WASHER D4 DIN 6798A A2
20	7826402	SCREW TE M4X16 UNI 5739 OT

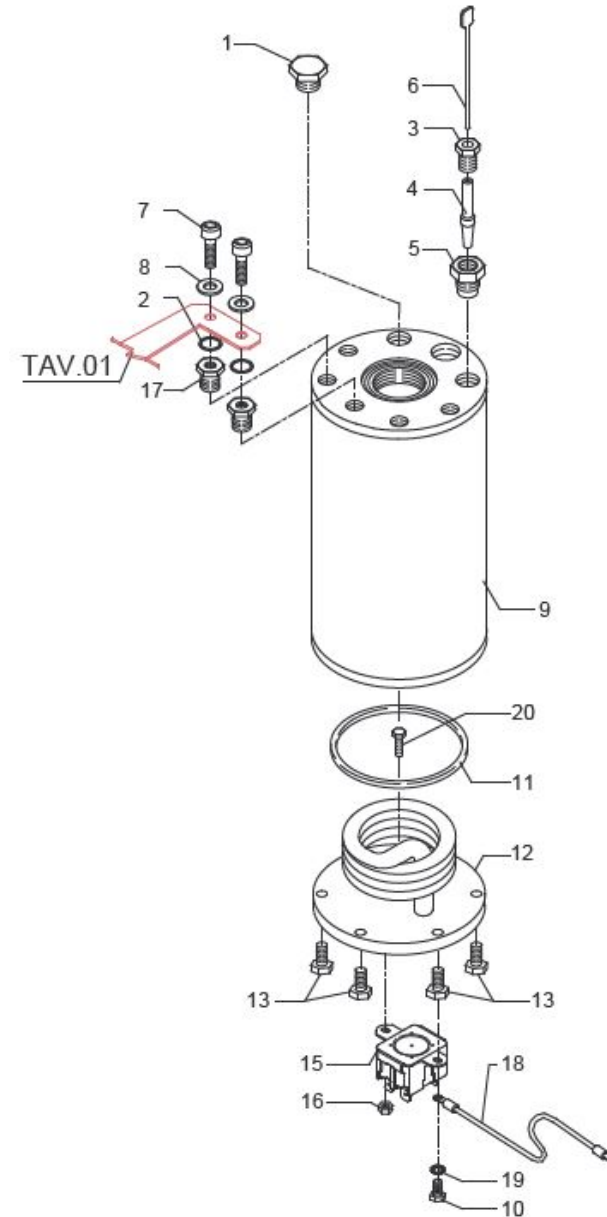
TABLE 4A  
BZ10

TABLE 4  
BZ10

POS	CODE	DESCRIPTION
1	5162185.01LL	EXCHANGER-GROUP SOLENOID VALVE HOSE
2	5192301	SUCTION HOSE D6 L=130MM PTFE
3	5162310LL	WATER TAP HOSE
4	5162304LL	EXCHANGER LOAD HOSE
5	7304502TR	STRAIGHT FITTING 1/8"
6	5329019DC-AL	ASSEMBLY EXCHANGER HOSE POLISHED
7	5302006TP	STRAIGHT FITTING 1/8"
8	5495007	GASKET D32 X 3 BRASS
9	7303033	FITTING
10	5302070TP	FITTING 3/8"
11	7611504	CLAMP
12	5162301LL	STEAM TAP HOSE
13	5162203.02LL	PRESSURE SWITCH HOSE
14	7433016R	PRESSOSTAT + RELAY KIT 110V (up to 16.03.10)
14	7433017R	PRESSOSTAT + RELAY KIT 230V (up to 26.05.10)
14	7433019R	PRESSOSTAT + RELAY KIT 240V (up to 26.05.10)
15	7611504	CLAMP
16	7400901	PRESSURE GAUGE CAPILLARY
17	5194616	HOSE 5X3 L=500 SILICONE
18	7304514TR	FITTING
19	5194549	HOSE D8X5 L=350 SILICONE
20	7433020	PRESSOSTAT COMPOUND 110V (from 17.03.10)
20	7433021	PRESSOSTAT COMPOUND 230V (from 27.05.10)
20	7433022	PRESSOSTAT COMPOUND 240V (from 27.05.10)
21	5301506TR	UNION ELBOW M13X1/4

TABLE 4  
BZ10

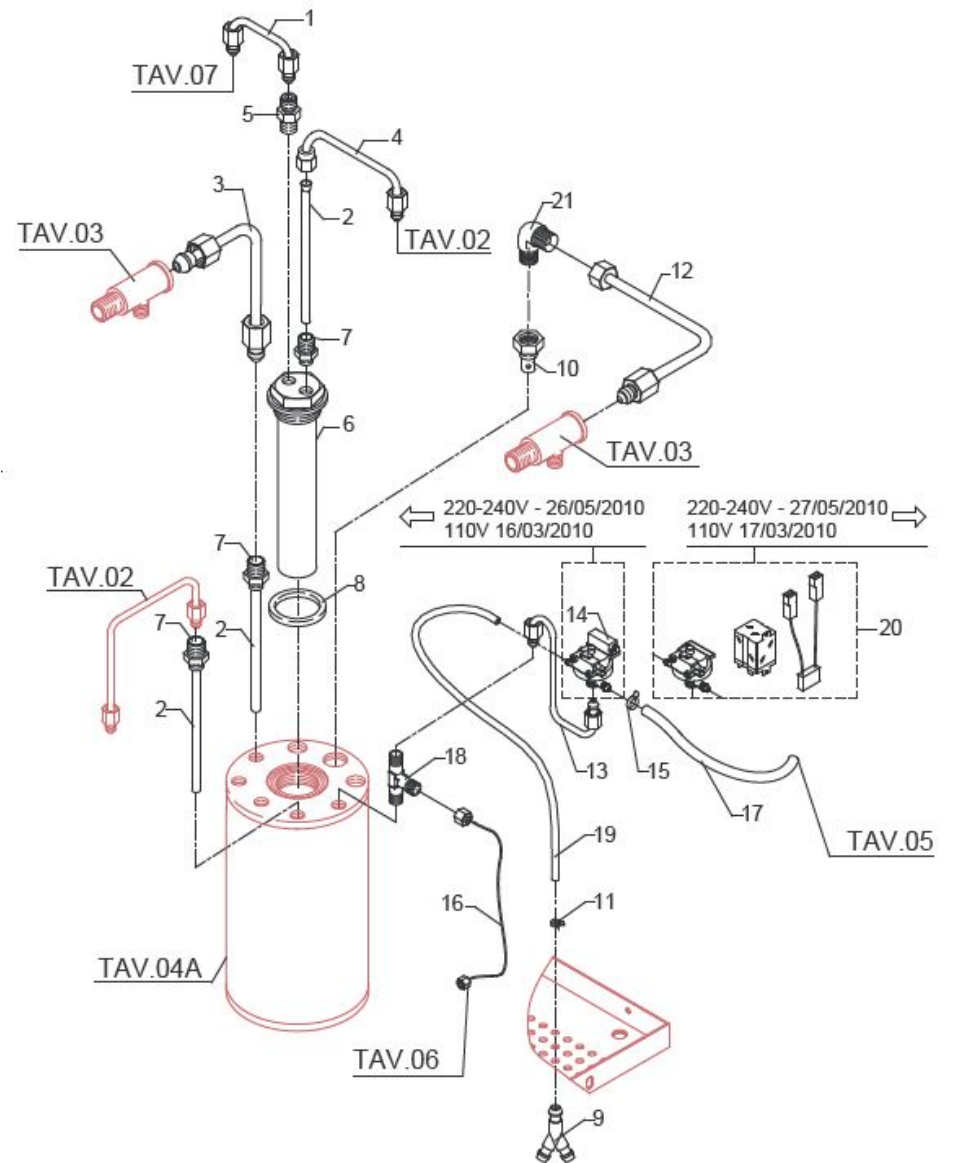


TABLE 5  
BZ10

POS	CODE	DESCRIPTION
1	5194631.01R	PUMP-SOLENOID VALVE HOSE (up to 13.12.15)
1	5194635	PUMP-SOLENOID VALVE HOSE (from 14.12.15)
2	7611516	CLAMP
3	7303006	RUBBER-HOLDER FITTING
4	5194582	HOSE 8X5 L=750 SILICONE
5	7731018	VIBRATION PUMP EX5 100V C/OR
5	7731022	VIBRATION PUMP EX5 220V 60HZ WITH OR
5	7731020	VIBRATION PUMP EX5 230V WITH OR
5	7731019	VIBRATION PUMP EX5 120V WITH OR
5	7731021	VIBRATION PUMP EX5 240V WITH OR
6	7470602	VIBRATION-DAMPING
7	7303042TR	UNION
8	7805009	PLAIN WASHER D5 X 11 X 1
9	7816004	SCREW TCEI M4 X 16
10	7374015	FILTER
11	5194582R	HOSE WITH FILTER
12	7634816	THERMIC SAFETY DEVICE 100°C AUTOMATIC
13	5225418TP	FITTING 1/8"
14	7496018	OR GASKET 105 VITON

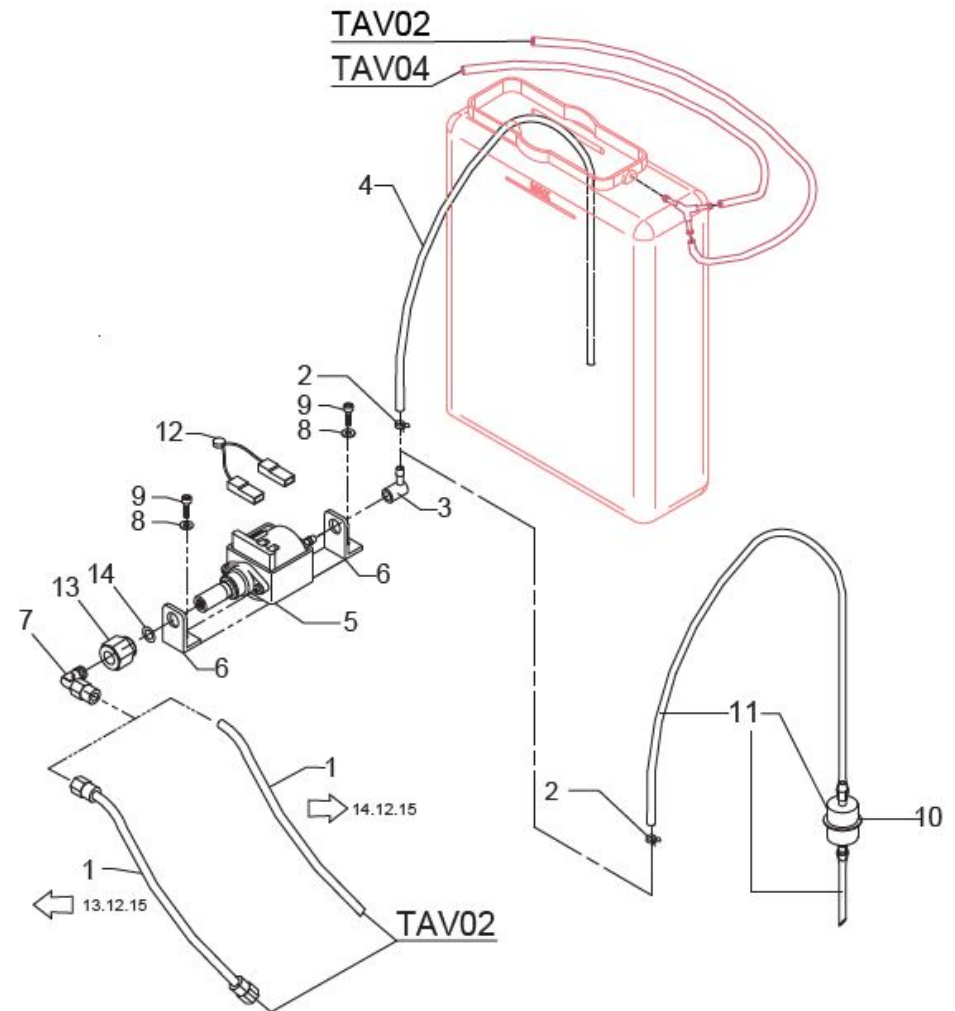
TABLE 5  
BZ10

TABLE 6 - (up to 30/11/2015)  
BZ10

POS	CODE	DESCRIPTION
1	7633331	BIPOLAR SWITCH
2	7400902	BOYLER-MANOMETER CAPILLARY
3	7612511	CLAMP 3 CONTACTS
4	5074449SG	GROUP FRONTAL
5	7400901	PRESSURE GAUGE CAPILLARY
6	7432524	PRESSURE GAUGE D60 DOUBLE SCALE
7	7826402	SCREW TE M4X16 UNI 5739 OT
8	7633622	GREEN LAMP 110/240V
9	7633621	ORANGE LAMP 110/240V
10	7633907	MICROSWITCH
11	7614007	CABLE-PRESS PG13,5
12	7614006	NUT PG13,5
13	7555001	CABLE WITH SCHUKO PLUG
13	7551001	CABLE WITH USA PLUG 125V 15A
13	7551003	CABLE WITH USA PLUG 250V 20A
13	7552001	CABLE WITH AUSTRALIAN PLUG
13	7555003	CABLE WITH SWITZERLAND PLUG
13	7554001	CABLE WITH ENGLISH PLUG
14	7661039PR	LEVEL REGULATOR 1S 110V
14	7661044PR	LEVEL REGULATOR 1S 220/240V
15	5058433LL	LEVEL REGULATOR SUPPORT
16	7819911	SCREW TTEI M4X25

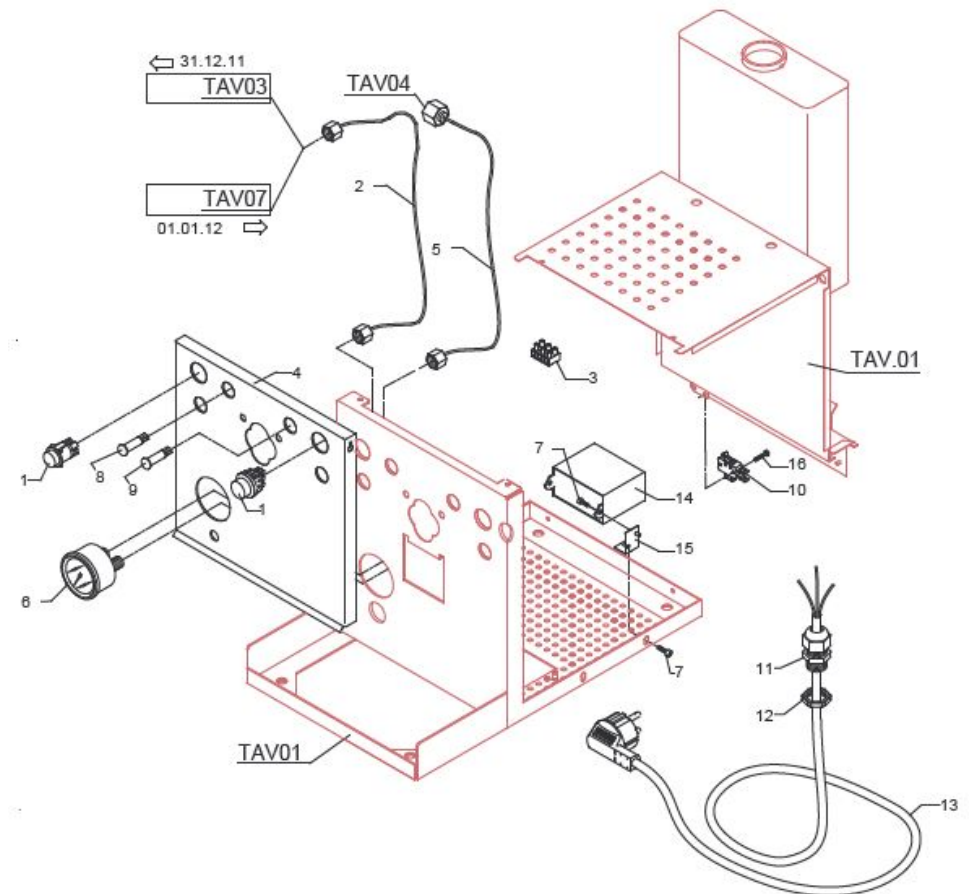
TABLE 6 - (up to 30/11/2015)  
BZ10

TABLE 6 - (from 01/12/2015 )  
BZ10

POS	CODE	DESCRIPTION
1	7633326	BIPOLAR SWITCH LEVER
2	7400902	BOYLER-MANOMETER CAPILLARY
3	7372507	SWTCH PROTECTION PLASTIC
4	5074449.01SG	GROUP FRONTAL
5	7400901	PRESSURE GAUGE CAPILLARY
6	7432524	PRESSURE GAUGE D60 DOUBLE SCALE
7	7826402	SCREW TE M4X16 UNI 5739 OT
8	7633624	GREEN LAMP
9	7633625	ORANGE LAMP
10	7633907	MICROSWITCH
11	7614007	CABLE-PRESS PG13,5
12	7614006	NUT PG13,5
13	7555001	CABLE WITH SCHUKO PLUG
13	7551001	CABLE WITH USA PLUG 125V 15A
13	7551003	CABLE WITH USA PLUG 250V 20A
13	7552001	CABLE WITH AUSTRALIAN PLUG
13	7555003	CABLE WITH SWITZERLAND PLUG
13	7554001	CABLE WITH ENGLISH PLUG
14	7661037PR	LEVEL REGULATOR 1S 110V
14	7661036.01PR	LEVEL REGULATOR 1S 220V/240V
15	5058433LL	LEVEL REGULATOR SUPPORT
16	7819911	SCREW TTEI M4X25
17	7635418	RELAY 16A 110V
17	7635419	RELAY 16A 220/230V
17	7635420	RELAY 16A 240V
18	7663005R	FILTER RC

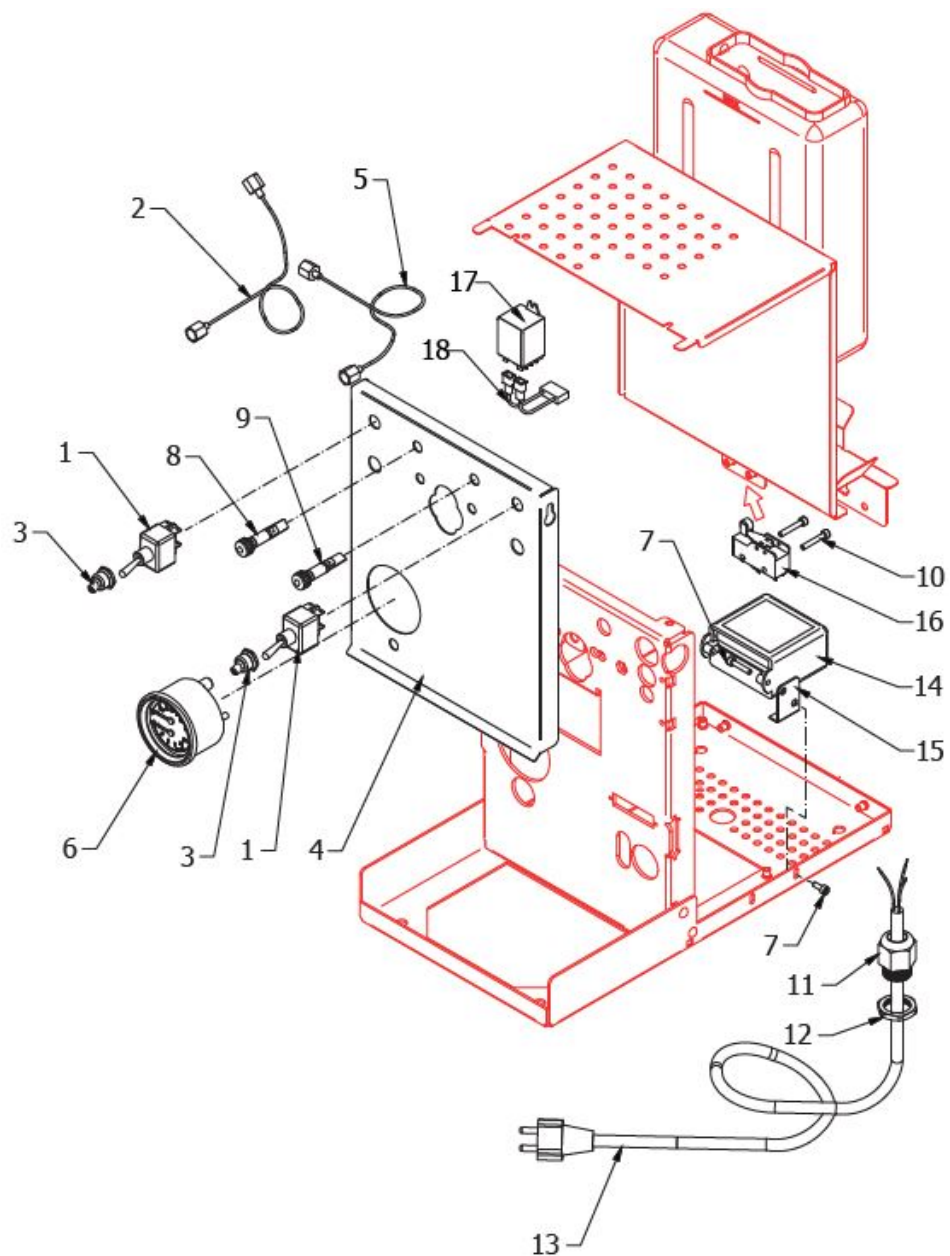
TABLE 6 - (from 01/12/2015 )  
BZ10

TABLE 7 - (up to 31/12/2011)  
BZ10

POS	CODE	DESCRIPTION
1	5223005TP	JET M6 X 6 HOLE D1.2 OT
2	5301504TR	UNION ELBOW 1/8"
3	7815001	WASHER D10 UNI 6592 A2
4	7702316	SOLENOID VALVE 3 WAY 230V ODE
4	7702411	SOLENOID VALVE 3 WAY 240V ODE
4	7701117	SOLENOID VALVE 3 WAY 115V ODE
6	5194560LL	SOLENOID VALVE DRAIN HOSE
7	5221844	NUT 1/8"
8	5283018CM	DRAIN FITTING FOR SURPRESSION VALVE 1/8•G CHROMED

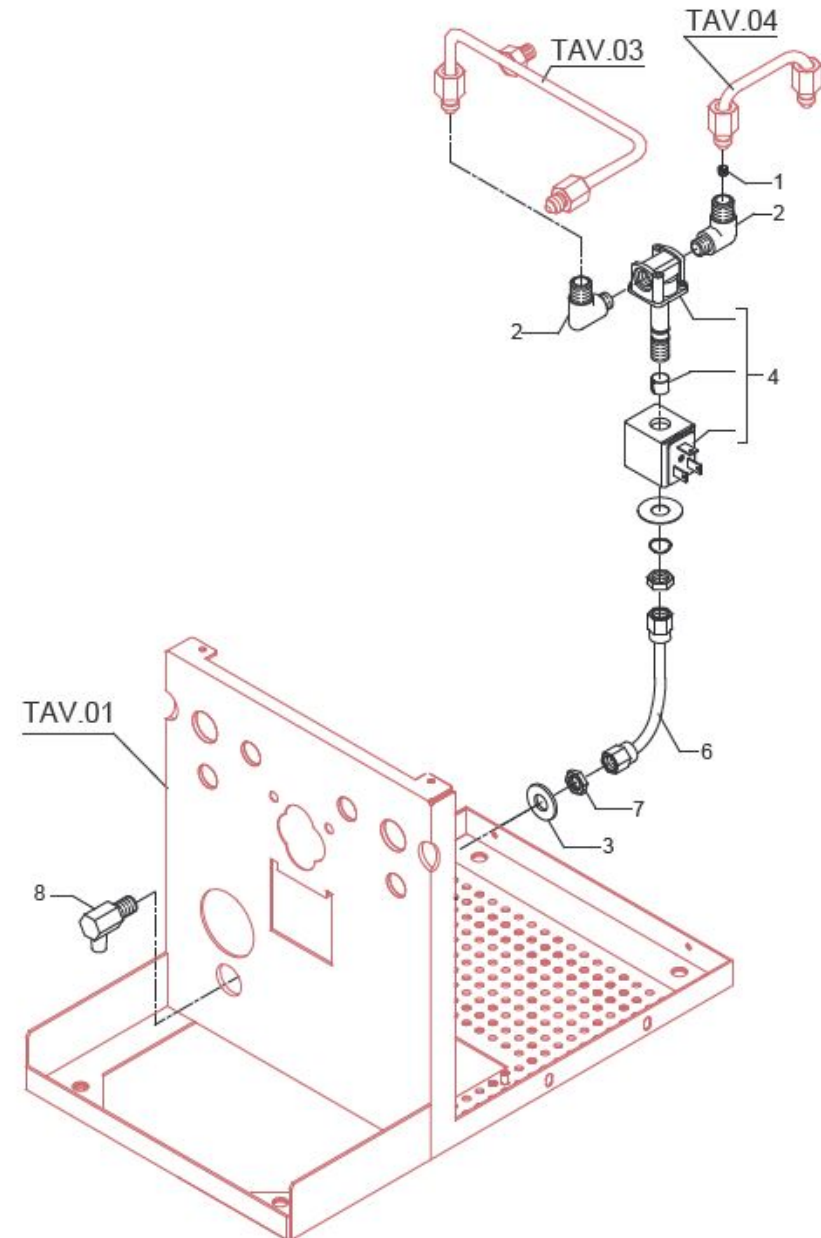
TABLE 7 - (up to 31/12/2011)  
BZ10



TABLE 7 - (from 01/01/2012 up to 01/04/2013)  
BZ10

POS	CODE	DESCRIPTION
1	5223005TP	JET M6 X 6 HOLE D1.2 OT
2	5300513TR	UNION
3	7815001	WASHER D10 UNI 6592 A2
4	7702316	SOLENOID VALVE 3 WAY 230V ODE
4	7702411	SOLENOID VALVE 3 WAY 240V ODE
4	7701117	SOLENOID VALVE 3 WAY 115V ODE
6	5194560LL	SOLENOID VALVE DRAIN HOSE
7	5221844	NUT 1/8"
8	5283018CM	DRAIN FITTING FOR SURPRESSION VALVE 1/8•G CHROMED

TABLE 7 - (from 01/01/2012 up to 01/04/2013)  
BZ10

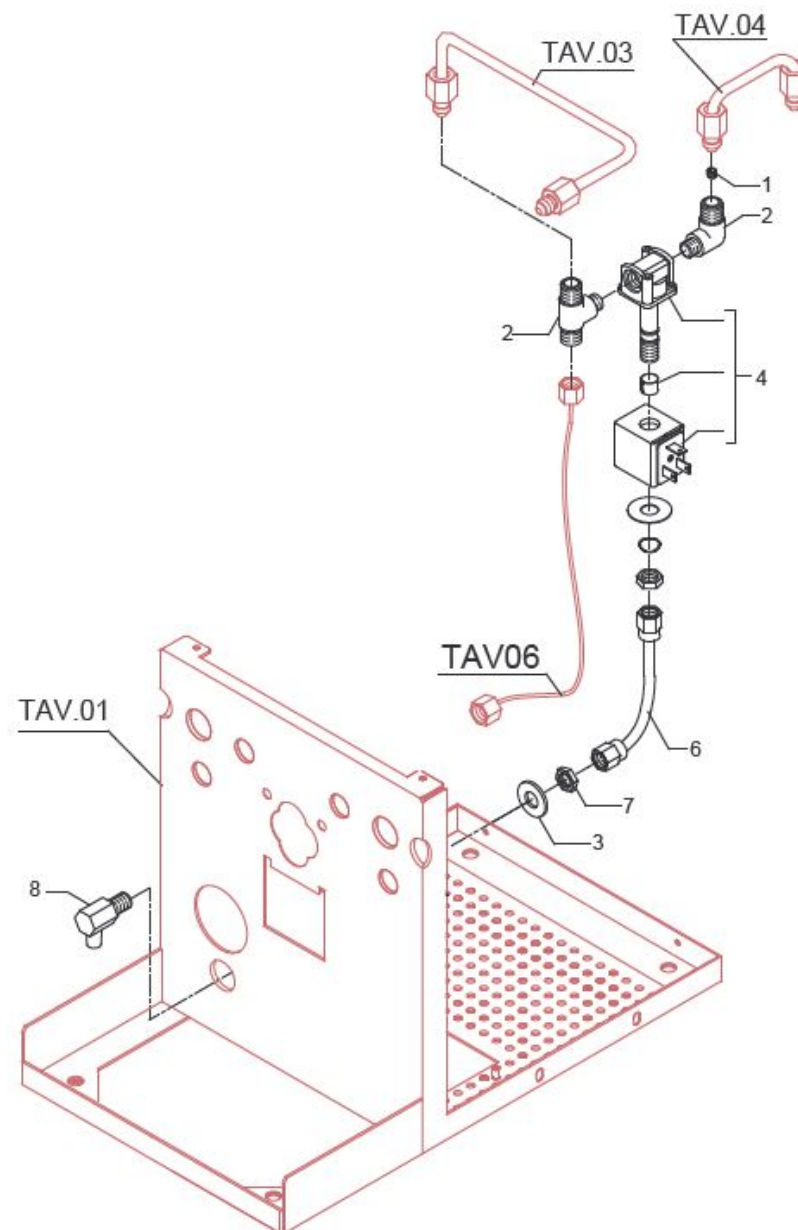


TABLE 7 - (from 02/04/2013 )  
BZ10

POS	CODE	DESCRIPTION
1	5223005TP	JET M6 X 6 HOLE D1.2 OT
2	5300513TR	UNION
3	7815001	WASHER D10 UNI 6592 A2
4	7701112	SOLENOID VALVE 3 WAY 115V PARKER
4	7702311	SOLENOID VALVE 3 WAY 230V PARKER
4	7702410	SOLENOID VALVE 3 WAY 240V PARKER
5	7630332	SOLENOID VALVE COIL 115V PARKER
5	7630331	SOLENOID VALVE COIL 230V PARKER
5	7630330	SOLENOID VALVE COIL 240V PARKER
6	5194559LL	SURPRESSION VALVE HOSE
7	5221844	NUT 1/8
8	5283018CM	DRAIN FITTING FOR SURPRESSION VALVE 1/8•G CHROMED
9	7703014	SOLENOID VALVE WITHOUT COIL PARKER

TABLE 7 - (from 02/04/2013 )  
BZ10

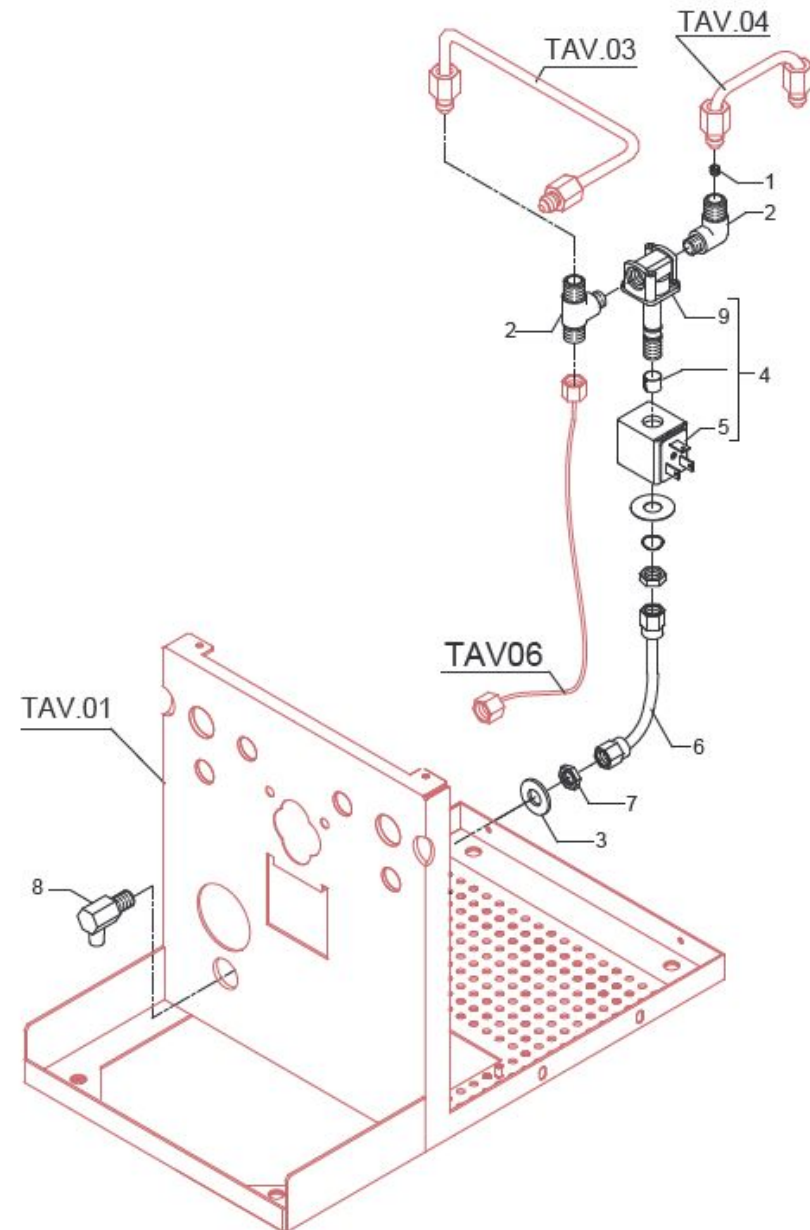
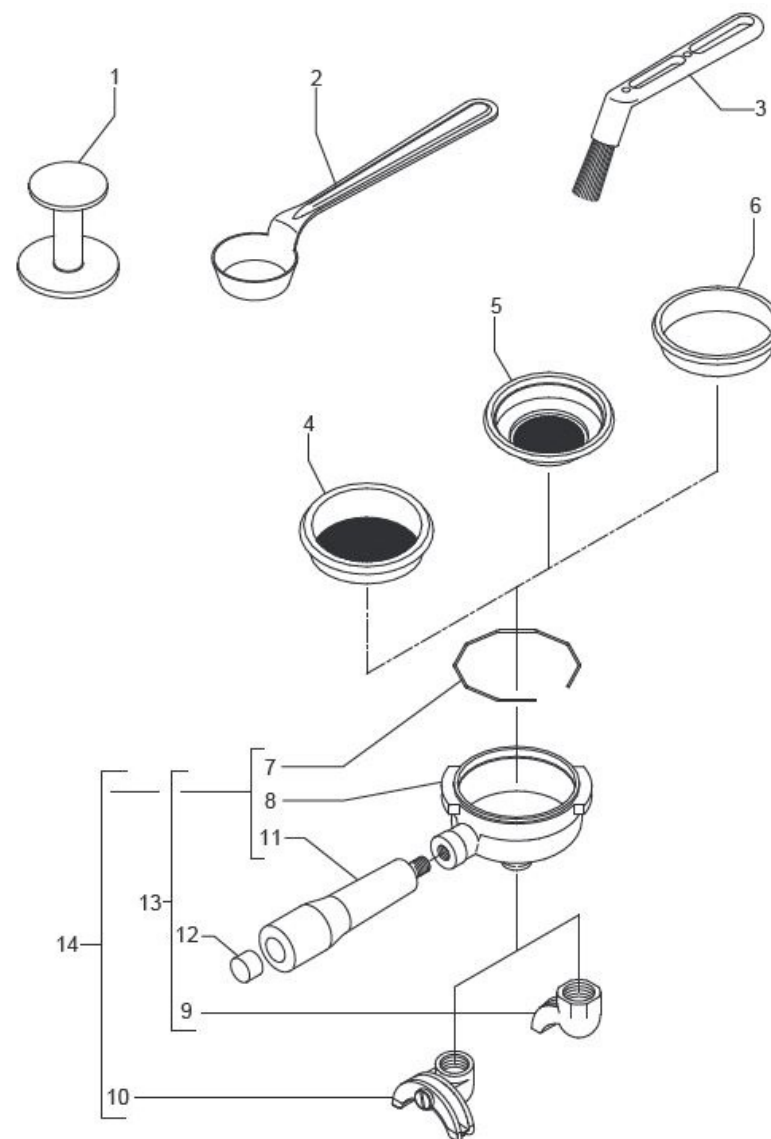


TABLE 8  
BZ10

POS	CODE	DESCRIPTION
1	5373001	COFFEE-PRESS
2	5372101	MEASURER
3	7990603	CLEANING BRUSH
4	5471021.01	FILTER 2 CUPS 12 GRAMS AISI 304 WITH RUN CHANNEL
4	5471035	FILTER 2 CUPS 16 GRAMS AISI 304 WITH RUN CHANNEL
5	5471031.01	FILTER 1 CUP 8 GRAMS WITH RUN CHANNEL
6	5471003	BLIND FILTER
7	5471527	FILTER-HOLDER SPRING D1.2 AISI 302
8	5286016TW	FILTER-HOLDER
9	7288505TW	SPOUT 1 WAY SHORT
10	7288501TW	SPOUT 2 WAY SHORT
11	7371502	KNOB POLISHED
12	5373915CM	KNOB CHROME CAP
13	5965603R	ASSEMBLY FILTER-HOLDER 1 CUP
14	5965604R	ASSEMBLY FILTER-HOLDER 2 CUPS

TABLE 8  
BZ10



G. BEZZERA S.R.L.  
MACCHINE PER CAFFÈ ESPRESSO  
Via Luigi Bezzera, 1  
20088 Rosate - Milano - Italy  
Tel. ++39 02 90848102 r.a. - Telefax ++39 02 90870287  
Web: [www.bezzera.com](http://www.bezzera.com)  
e-mail: [admin@bezzera.it](mailto:admin@bezzera.it)