



# DUO

**COD. 9942067**

**REV. 03**



TABLE 1  
DUO Mod. MN/DE

POS	CODE	DESCRIPTION
1	7474218	FEET M10 D40X46
2	5964676	ASSEMBLY CHASSIS DUO/MATRIX
3	5225230	FITTING 3/8
4	5492022	GASKET D25 X 17 X 2
5	5224403.01	RUBBER-HOLDER 3/8
6	7816002	SCREW TCEI M4X12
7	7815003	WASHER D5 UNI6592 A2
8	5073640LL	RIGHT/LEFT LATERAL SIDE (1 pcs.)
9	5073641DL	REAR BODY STAINLESS STEEL POLISHED WITH LED
10	5058453LW	LED SUPPORT
11	7663625LL	LED WHITE ADHESIVES 12V
12	7819919	SCREW TTEI M4X16 ISO 7380 A2
13	7804401	WASHER TYPE A D.4,3X8
14	7812601	NUT M4 STAINLESS STEEL UNI 5588
15	5370012	REAR PANEL
16	5074671LW	CUPS-HEATER GRID DUO
17	7474217	ADHESIVE FEET 12,7 H5,8
18	5163205.01CM	CUP-HEATER PIPE
19	7818604	TAPPING SCREW D4.2X13
20	5056350LW	CUPS-HEATER
21	5968127R	ASSY DRIP TRAY DUO/MATRIX + PTFE ADHESIVE
22	7497009	ADHESIVE STRIP PTFE 150X8X1MM
23	7823001	DOWEL 1/8
24	5221826	NUT 3/8
25	5074672LW	DRAIN GRID
26	5074924SG1	GROUP FRONTAL DUO MN
26A	5074923SG	GROUP FRONTAL DUO DE
27	5968124	ASSY DRIP TRAY DUO/MATRIX
28	5194654	HOSE D15X10 L=1500 SILICONE
29	7611502	CLAMP 15140-BIFM140

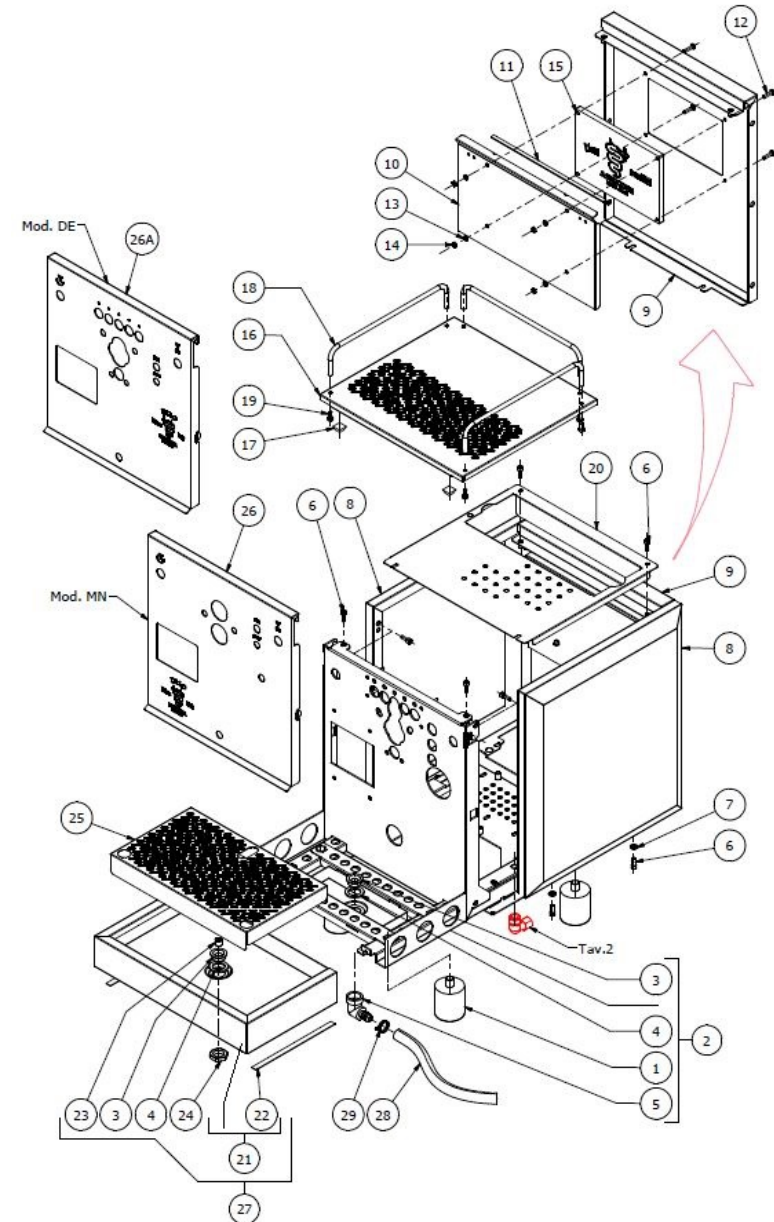
TABLE 1  
DUO Mod. MN/DE

TABLE 2A  
DUO Mod. DE

POS	CODE	DESCRIPTION
1	5283060	DRAIN FITTING
2	7815001	WASHER D10 UNI 6592 A2
3	5221844	NUT 1/8
4	7816002	SCREW TCEI M4X12
5	7304507TR	UNION ELBOW 1/8
6	7304517	UNION 1/8
7	7666005	PRESSURE SENSOR ETX165
8	5162421LL	PRESSURE GAUGE HOSE
9	7304502TR	UNION 1/8
10	5162415LL	L / A INPUT TUBE DUO/MATRIX
11	5162414LL	PUMP WATER INPUT TUBE DUO/MATRIX
12	5492019	GASKET D8X2
13	5221835	CAP NUT 1/8
14	7815003	WASHER D5 UNI6592 A2
15	7812601	NUT M4 STAINLESS STEEL UNI 5588
16	5058463LL	TANK SUPPORT
17	7474212	ADHESIVE FEET
18	5221830	NUT M20X1.25 H5 OT
19	7633012	SHEATH 142 EPDM BLACK
20	7819901	SCREW TBEI M4X12 ISO 7380 A2
21	7666006.01	TANK LEVEL SENSOR
22	5194554	HOSE D8X5 L=250 SLICONE
23	7611516	CLAMP 10086-BIFM086
24	7303001TR	UNION ELBOW 1/8
25	7304505TR	FITTING ELBOW 3 WAY 1/8
26	7304538TR	UNION STRAIGHT F1/8
27	5194617	PTFE HOSE D6x140
28	5225228.01	FITTING M20X1.25 H28.5 OT
29	7304534TR	UNION STRAIGHT M 1/8
30	7826206	SCREW TCI M3X30 UNI6107 OT

TABLE 2A  
DUO Mod. DE

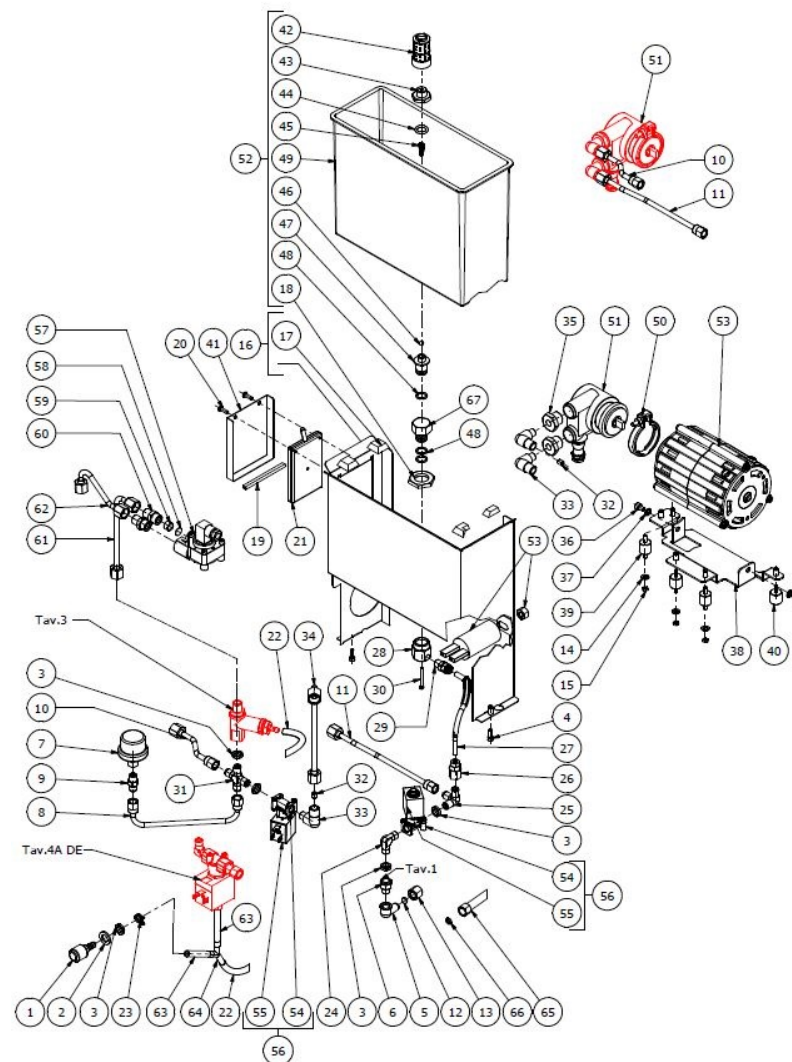


TABLE 2A  
DUO Mod. DE

POS	CODE	DESCRIPTION
31	7304001TR	UNION CROSS 1/8
32	5223003	JET M6X6 HOLE D0.8 BRASS
33	5301504TR	FITTING ELBOW M12X1/8
34	5162412LL	BOILER LOAD HOSE
35	5302057AL	FITTING 1/8
36	7816027	SCREW TCEI M5X8
37	7814002	NOTCHED WASHER D5 DIN 6798A A2
38	5058411LL	MOTOR SUPPORT
39	7470604	VIBRATION-DAMPING
40	7474219	RUBBER FEET D15X15 M4X10
41	5055752LW	TANK LEVEL SENSOR PLATE
42	7374002	FILTER 1/4
43	5302065.01AL	TANK FILTER REDUCTION
44	7496073.01	OR GASKET 115 EP856
45	5471521.01	COUPLING SPRING
46	5471509	BALL 7/32
47	5224617	GASKET-HOLDER D14.5X25 OT
48	7496076	OR GASKET 112 EP856 80SH
49	7373012	TANK 3 LT. CAPACITY
50	7611508	PUMP CLAMP
51	7730509	PUMP 50-70L/H+CLAMP+JOINT
52	5963171	ASSEMBLY TANK C / FILTER DUO/MATRIX
53	7741005.01	ELECTRIC MOTOR 110V 25MF 50/60HZ
53	7742404.01	ELECTRIC MOTOR 220/240V 50/60HZ 1 GROUP
54	7703018	SOLENOID VALVE WITHOUT COIL 2 WAY OLAB
55	7630339	SOLENOID VALVE COIL 2 WAY 110V OLAB
55	7630341	SOLENOID VALVE COIL 2 WAY 220/230V OLAB
55	7630343	SOLENOID VALVE COIL 2 WAY 240V OLAB
56	7701123	SOLENOID VALVE 2 WAY 110V OLAB
56	7702322	SOLENOID VALVE 2 WAY 220/230V OLAB

TABLE 2A  
DUO Mod. DE

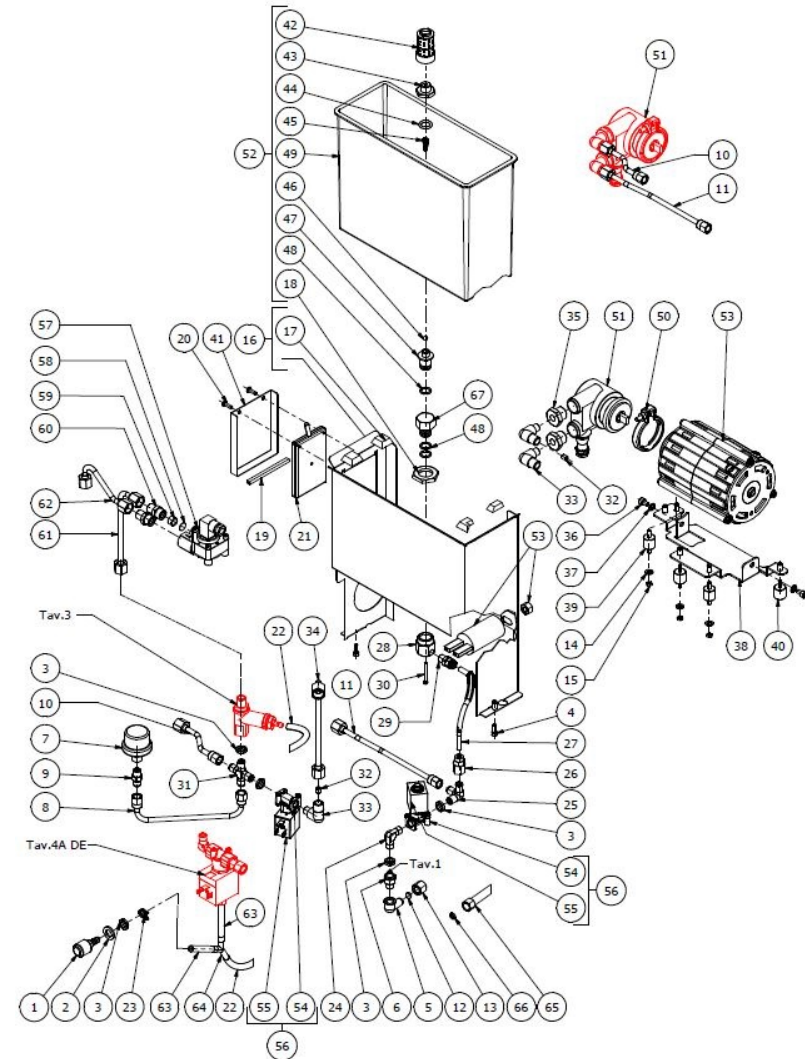


TABLE 2A  
DUO Mod. DE

POS	CODE	DESCRIPTION
56	7702415	SOLENOID VALVE 2 WAY 240V OLAB
57	7431001	FLOW METER + AUT. WITH LED
58	5471001	MESH FILTER D11 AISI 304
59	5191501	SPACER D11X8X6.5 PTFE
60	5302009	FITTING M12X1/4
61	5162416LL	FLOW METER INPUT TUBE DUO/MATRIX
62	5162418LL	OUTLET HOSE FLOW METER
63	5194532	HOSE D8X5 L=60 SLICONE
64	7303039	FITTING
65	7200514	FLEXIBLE HOSE
66	7492004	GASKET D8.5X4.2X1.5
67	5226416AL	PLUG HEXAGONAL 22 x 26.5

TABLE 2A  
DUO Mod. DE

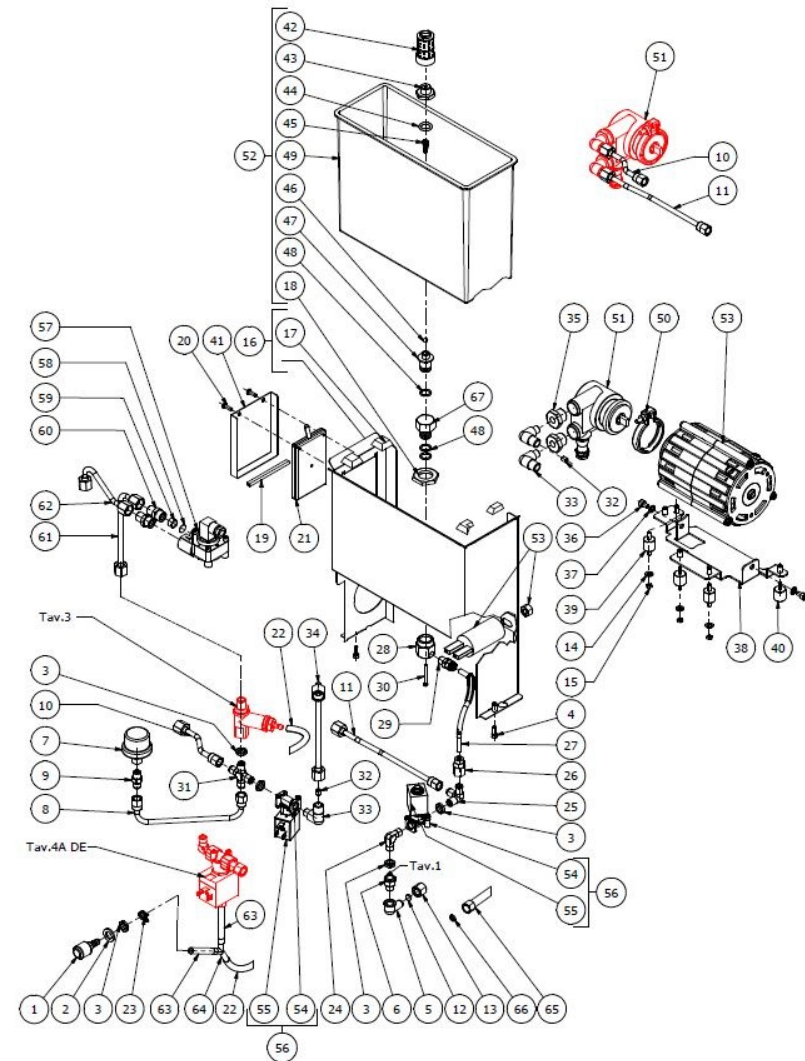


TABLE 2  
DUO Mod. MN

POS	CODE	DESCRIPTION
1	5283060	DRAIN FITTING
2	7815001	WASHER D10 UNI 6592 A2
3	5221844	NUT 1/8
4	7816002	SCREW TCEI M4X12
5	7304507TR	UNION ELBOW 1/8
6	7304517	UNION 1/8
7	7666005	PRESSURE SENSOR ETX165
8	5162421LL	PRESSURE GAUGE HOSE
9	7304502TR	UNION 1/8
10	5162415LL	L / A INPUT TUBE DUO/MATRIX
11	5162414LL	PUMP WATER INPUT TUBE DUO/MATRIX
12	5492019	GASKET D8X2
13	5221835	CAP NUT 1/8
14	7815003	WASHER D5 UNI6592 A2
15	7812601	NUT M4 STAINLESS STEEL UNI 5588
16	5058463LL	TANK SUPPORT
17	7474212	ADHESIVE FEET
18	5221830	NUT M20X1.25 H5 OT
19	7633012	SHEATH 142 EPDM BLACK
20	7819901	SCREW TBEI M4X12 ISO 7380 A2
21	7666006.01	TANK LEVEL SENSOR
22	5162413LL	COFFEE BOILER DUO / MATRIX LOADING TUBE
23	5194554	HOSE D8X5 L=250 SLICONE
24	7611516	CLAMP 10086-BIFM086
25	7303001TR	UNION ELBOW 1/8
26	7304505TR	FITTING ELBOW 3 WAY 1/8
27	7304538TR	UNION STRAIGHT F1/8
28	5194617	PTFE HOSE D16x140
29	5225228.01	FITTING M20X1.25 H28.5 OT
30	7304534TR	UNION STRAIGHT M1/8

TABLE 2  
DUO Mod. MN

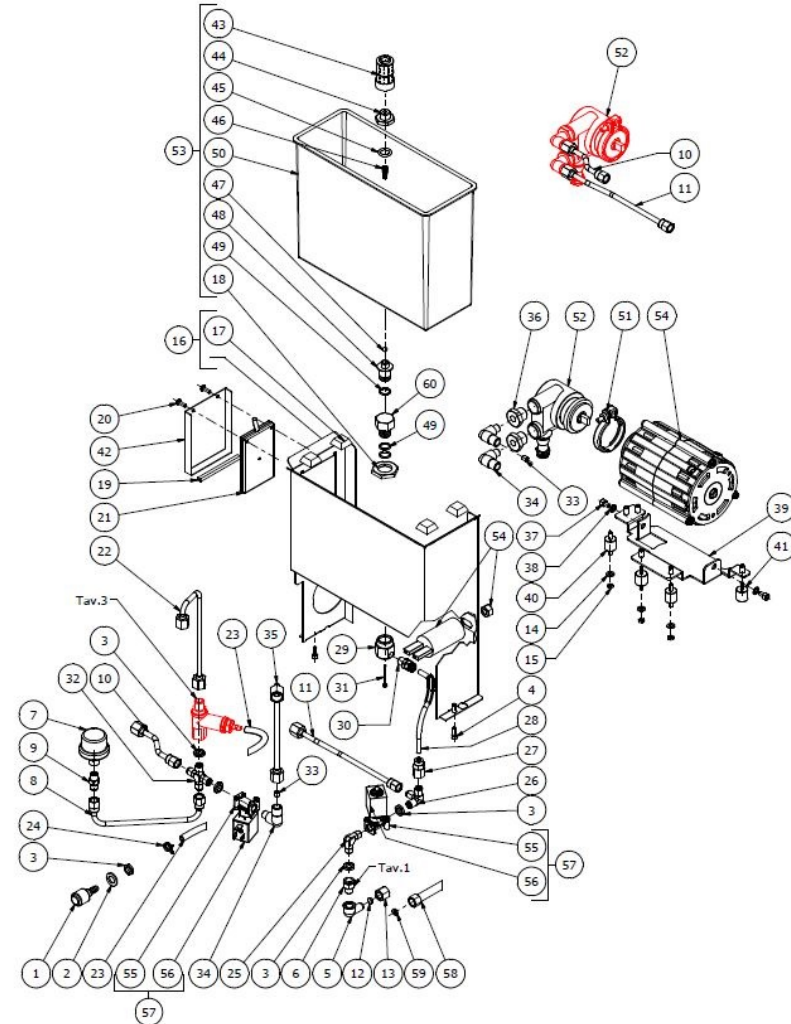


TABLE 2  
DUO Mod. MN

POS	CODE	DESCRIPTION
31	7826206	SCREW TCI M3X30 UNI6107 OT
32	7304001TR	UNION CROSS 1/8
33	5223003	JET M6X6 HOLE D0.8 BRASS
34	5301504TR	FITTING ELBOW M12X1/8
35	5162412LL	BOILER LOAD HOSE
36	5302057AL	FITTING 1/8
37	7816027	SCREW TCEI M5X8
38	7814002	NOTCHED WASHER D5 DIN 6798A A2
39	5058411LL	MOTOR SUPPORT
40	7470604	VIBRATION-DAMPING
41	7474219	RUBBER FEET D15X15 M4X10
42	5055752LW	TANK LEVEL SENSOR PLATE
43	7374002	FILTER 1/4
44	5302065.01AL	TANK FILTER REDUCTION
45	7496073.01	GASKET OR 115 EP856
46	5471521.01	COUPLING SPRING
47	5471509	BALL 7/32* AISI 304
48	5224617	GASKET-HOLDER D14.5X25 OT
49	7496076	OR GASKET 112 EP856 80SH
50	7373012	TANK 3 LT. CAPACITY
51	7611508	PUMP CLAMP
52	7730509	PUMP 50-70L/H+CLAMP+JOINT
53	5963171	ASSEMBLY TANK C / FILTER DUO/MATRIX
54	7741005.01	ELECTRIC MOTOR 110V 25MF 50/60HZ
54	7742404.01	ELECTRIC MOTOR 220/240V 6MF 50/60HZ
55	7703018	SOLENOID VALVE WITHOUT COIL 2 WAY OLAB
56	7630339	SOLENOID VALVE COIL 2 WAY 110V OLAB
56	7630341	SOLENOID VALVE COIL 2 WAY 220/230V OLAB
56	7630343	SOLENOID VALVE COIL 2 WAY 240V OLAB
57	7701123	SOLENOID VALVE 2 WAY 110V OLAB

TABLE 2  
DUO Mod. MN

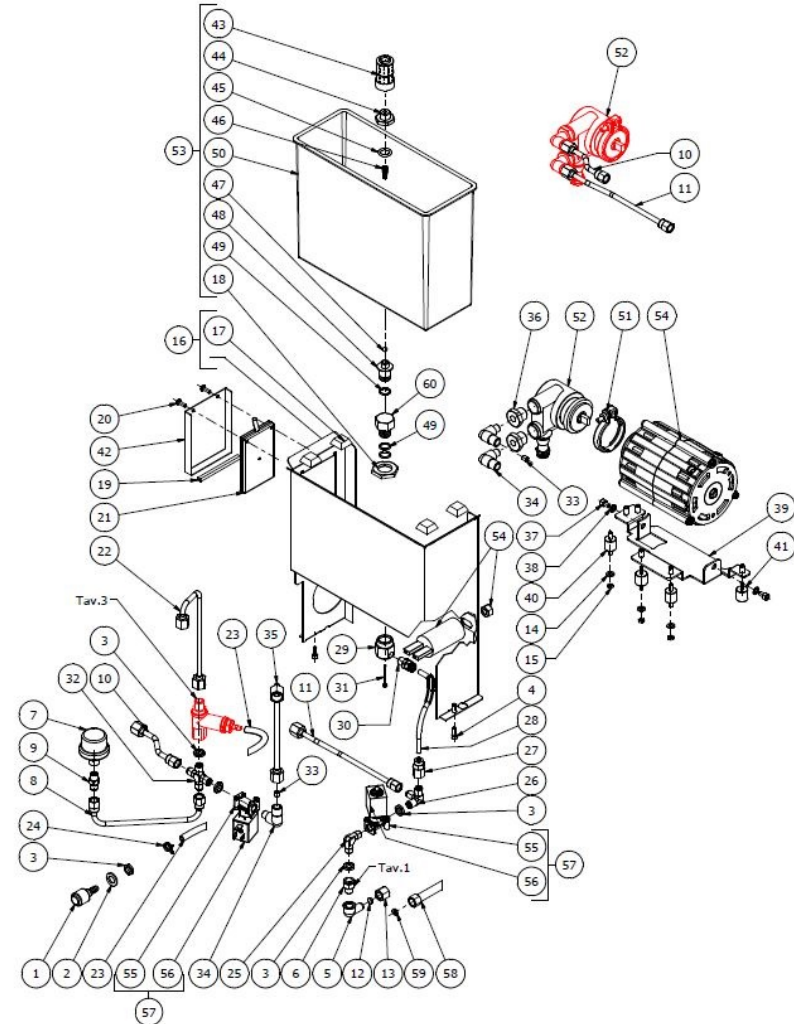


TABLE 2  
DUO Mod. MN

POS	CODE	DESCRIPTION
57	7702322	SOLENOID VALVE 2 WAY 220/230V OLAB
57	7702415	SOLENOID VALVE 2 WAY 240V OLAB
58	7200514	FLEXIBLE HOSE
59	7492004	GASKET D8.5X4.2X1.5
60	5226416AL	PLUG HEXAGONAL 22 x 26.5

TABLE 2  
DUO Mod. MN

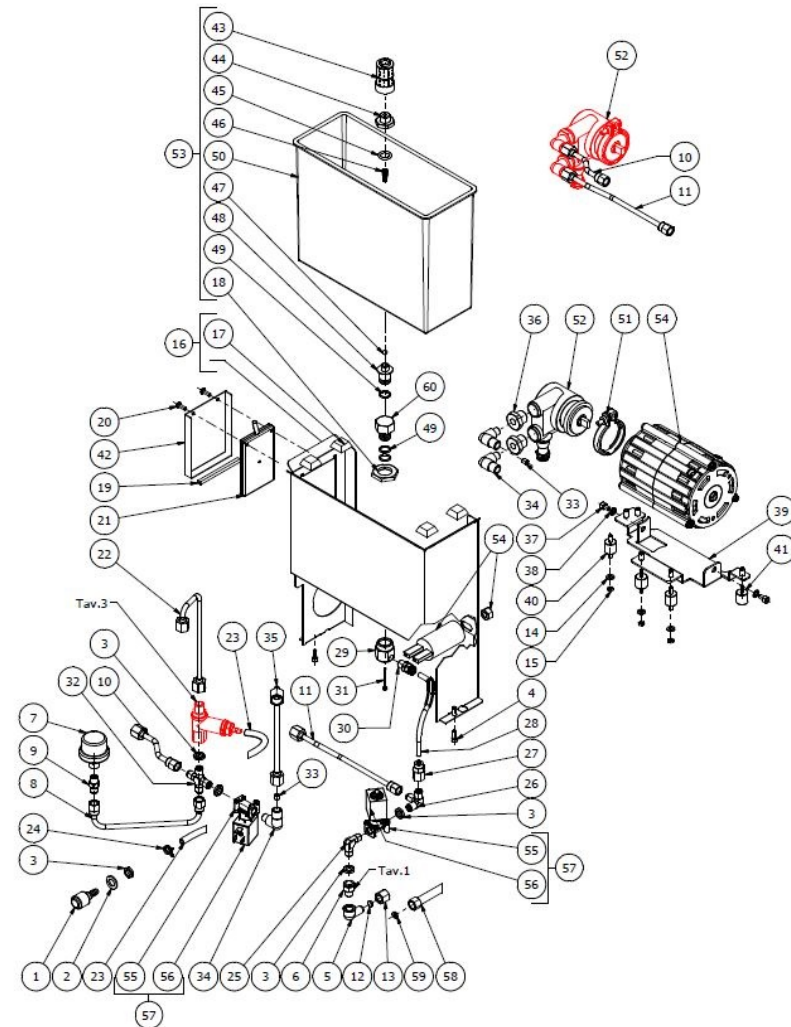




TABLE 3  
DUO Mod. MN/DE

POS	CODE	DESCRIPTION
1	5493042	GASKET D11X3 EPDM 80SH
2	5471539	CALIBRATED SPRING D1.6 H21.5 AISI302
3	7496018	OR GASKET 105 VITON
4	5471505	CALIBRATED SPRING D0.45 H22 AISI302
5	7496052	OR GASKET 114 VITON
6	5471019	FILTER D8,5X5 AISI304
7	5283053TP	SURPRESSION VALVE BODY
8	5224615TP	GASKET-HOLDER S/PB-NI
9	5302017TP	FITTING M20X1.25 H28.5 OT
10	5302077TP	RIBBER-HOLDER FITTING
11	5224620TP	GASKET-HOLDER OT S/PB
12	5965212.01AL	ASSEMBLY SURPRESSION VALVE 12BAR

TABLE 3  
DUO Mod. MN/DE

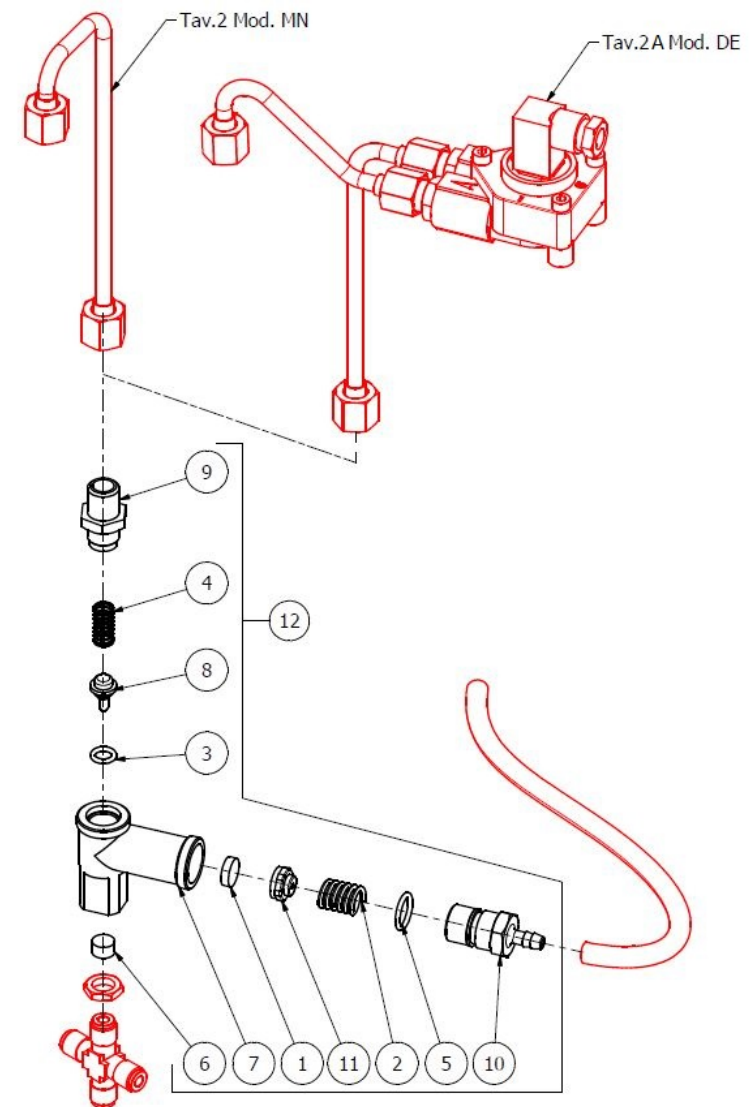


TABLE 4A  
DUO Mod. DE

POS	CODE	DESCRIPTION
1	5320527BL	COFFEE BOILER DUO/MATRIX
2	5494016	GASKET 56X42X2
3	5302006TP	FITTING M12 X 1/8
4	5192320	SUCTION HOSE D6X1 L=60MM PTFE
5	7666008	PROBE T.PID AISI316 D3
6	7814001	WASHER D4 DIN 6798A A2
7	7663573	GROUND WIRE
8	5722312TP	HEATING ELEMENT 230V 800W
8	5722313TP	HEATING ELEMENT 115V 800W
9	7823001	DOWEL 1/8
10	7826212	SCREW TCI M4X6 UNI6107 OT
11	7434009	THERMOSTAT MANUAL 16A 135°C
12	5302005TP	FITTING M13 X 3/8
13	5370313	RUBBER-HOLDER
14	7303001TR	UNION ELBOW 1/8
15	5194532	HOSE D8X5 L=60 SLICONE
16	7303039	FITTING
17	5162417LL	GROUP INPUT TUBE DUO/MATRIX
18	5194554	HOSE D8X5 L=250 SLICONE
19	7304541TR	STRAIGHT ROTARY FITTING
20	7703016	SOLENOID VALVE WITHOUT COIL 3 WAY OLAB
21	7630340	SOLENOID VALVE COIL 2-3 WAY 220/230V OLAB
22	7701120	SOLENOID VALVE 3 WAY 110V OLAB
22	7702319	SOLENOID VALVE 3 WAY 220/230V OLAB
22	7702412	SOLENOID VALVE 3 WAY 240V OLAB

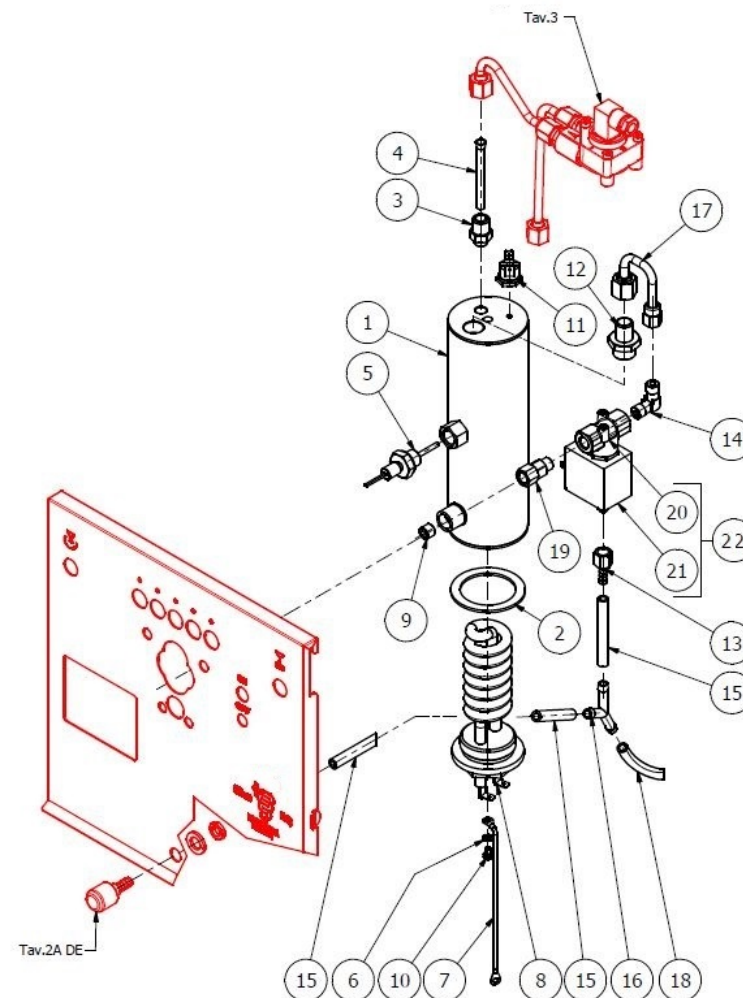
TABLE 4A  
DUO Mod. DE

TABLE 4  
DUO Mod. MN

POS	CODE	DESCRIPTION
1	5163374LL	UPPER HEATING HOSE
2	5164092LL	BOTTOM HEATING HOSE
3	5320527BL	COFFEE BOILER DUO/MATRIX
4	5494016	GASKET 56X42X2
5	5302006TP	FITTING M12 X 1/8
6	5192320	SUCTION HOSE D6X1 L=60MM PTFE
7	7666008	PROBE T.PID AISI316 D3
8	7814001	WASHER D4 DIN 6798A A2
9	7663573	GROUND WIRE
10	5722312TP	HEATING ELEMENT 230V 800W
10	5722313TP	HEATING ELEMENT 115V 800W
11	5301507TR	FITTING ELBOW M13X3/8
12	7826212	SCREW TCI M4X6 UNI6107 OT
13	7434009	THERMOSTAT MANUAL 16A 135°C
14	5164091R	UPPER HEATING HOSE
15	5302011	FITTING 3/8
16	7303044TR	FITTING 3/8
17	5495008	GASKET D23x17.2x3

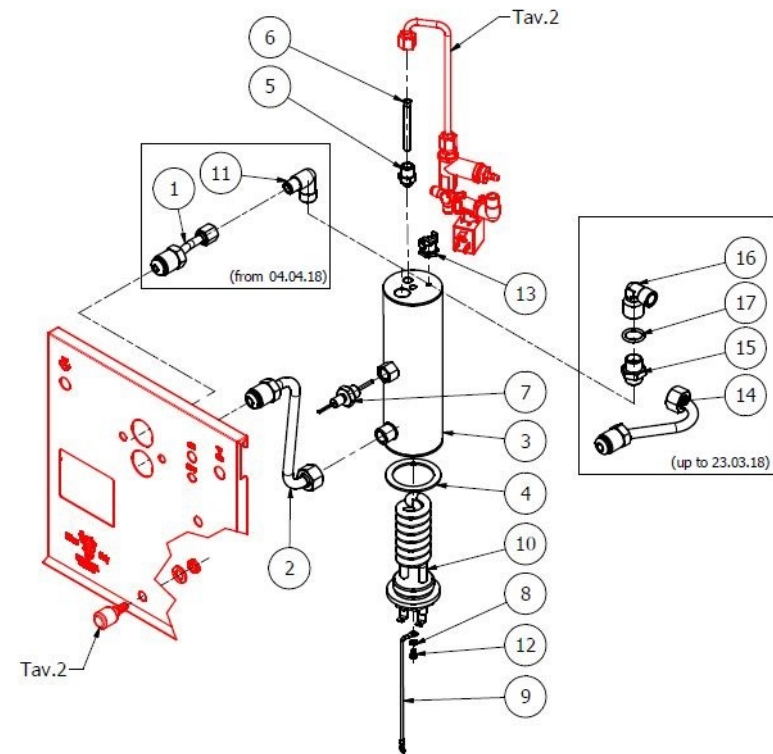
TABLE 4  
DUO Mod. MN

TABLE 5  
DUO Mod. MN/DE

POS	CODE	DESCRIPTION
1	7615002	DOUBLE FASTON 45 HOLE D6.3
2	5225416TP	FITTING M12XM13 H29,5 S/OR S/PB-NI
3	7816002	SCREW TCEI M4X12
4	7814001	WASHER D4 DIN 6798A A2
5	5162420LL	STEAM HOSE DUO/MATRIX
6	5162419LL	WATER HOSE
7	5320528BL	BOILER SERV.MATRIX/DUO
8	5302006TP	FITTING M12X1/8
9	5302009	FITTING M12X1/4
10	5225209TP	FITTING M10X1/4
11	5192321	SUCTION HOSE D6X1 L=140MM PTFE
12	5301506TR	FITTING ELBOW M13X1/4
13	7666008	PROBE T.PID AISI316 D3
14	7452509.02	SICURITY VALVE 3/8
15	7452511.01	VALVE OT+TF
16	7434009	THERMOSTAT MANUAL 16A 135 C
17	7496040	OR GASKET D73X3 VITON 75SH
18	7816422	SCREW TE M6X14 UNI5739/DIN933 A2
19	7816017	SCREW TCEI M4X6
20	5058125LW	BOILER BRACKET SERVICES DUO/MATRIX
21	5225205	FITTING M10x1 OT
22	5192001	PROBE SHEATH D8X45 HOLE D3
23	5265807	LEVEL PROBE 2/3/4 GR D3X90X6.3
24	5721128.01AL	HEATING ELEMENT 120V 1200W
24	5722239.01AL	HEATING ELEMENT 220/240V 1100/1300W

TABLE 5  
DUO Mod. MN/DE

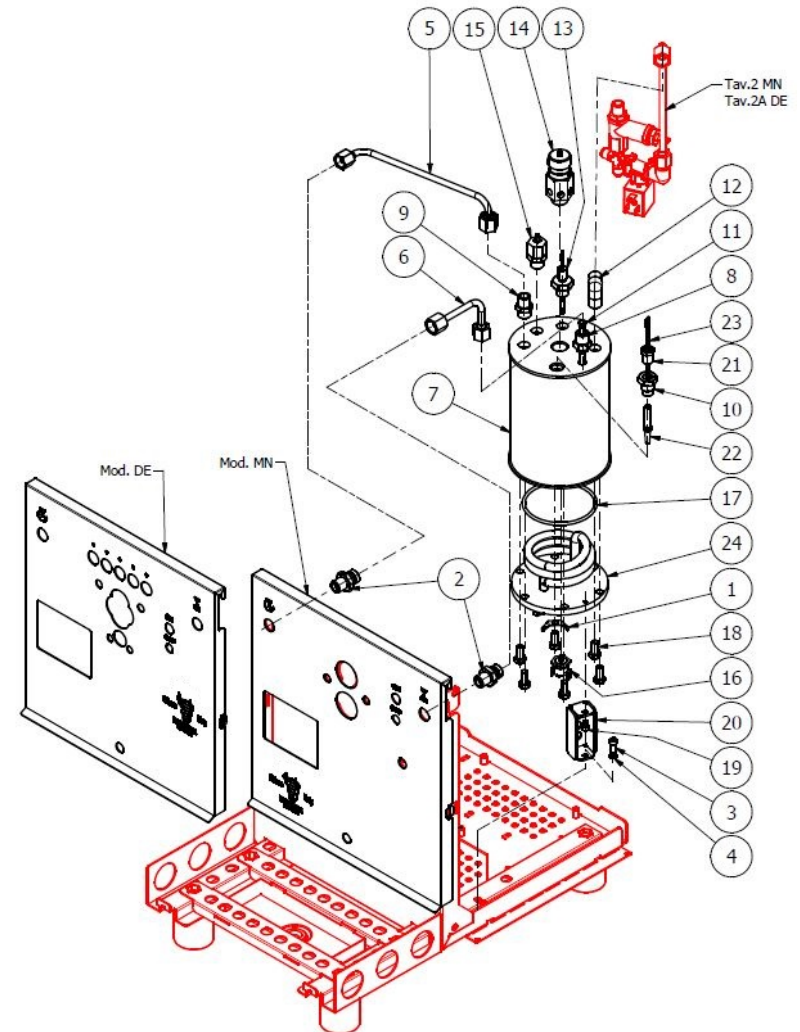


TABLE 6  
DUO Mod. MN

POS	CODE	DESCRIPTION
1	7811402	NUTM8 INOX
2	7493011	GASKET E61 GROUP
3	5267013	TIE ROD M8 X 31 ASTM A193
4	7479940	LEVER GROUP BODY CHROMED
5	7479938	GASKET TF 10X6X1
6	7479939	SCREW TCEI M6X8 A2 UNI5931
7	7479937	VALVE DELIVERY
8	7479936	DELIVERY VALVE SPRING
9	7479935	GASKET TF 35X30X2
10	7479934	OR GASKET 128 VITON 70
11	7479956	UPPER SLEEVE ASSY
12	7479955	INJECTOR M6X0,75 HOLE D0,7
13	7479954	INOX FILTER D8,5X22
14	7479953	GASKET TF 22X17X2
15	7479952	UPPER ASSY PLUG
16	7479961	LOWER CHROMED GROUP FITTING
17	7479960	GASKET TF 26X21X2
18	7479945	BUSHING 15x6
19	7479944	DRAIN SPRING
20	7479943	ASSEMBLY RELIEF VALVE
21	7479957	CHROMED LEVER GROUP E61
22	7479942	SPRING GUIDE BUSHING
23	7479946	LOWER VALVE
24	5493039	GASKET
25	5471022	SHOWER FILTER
26	7479941	GROUP SPRAYER D.30
27	7479951	CAM STOP PIN
28	7479950	CAM SHAFT
29	7479967	CAM FLANGE
30	7479968	WASHER EP709 15.8X7.8X4

TABLE 6  
DUO Mod. MN

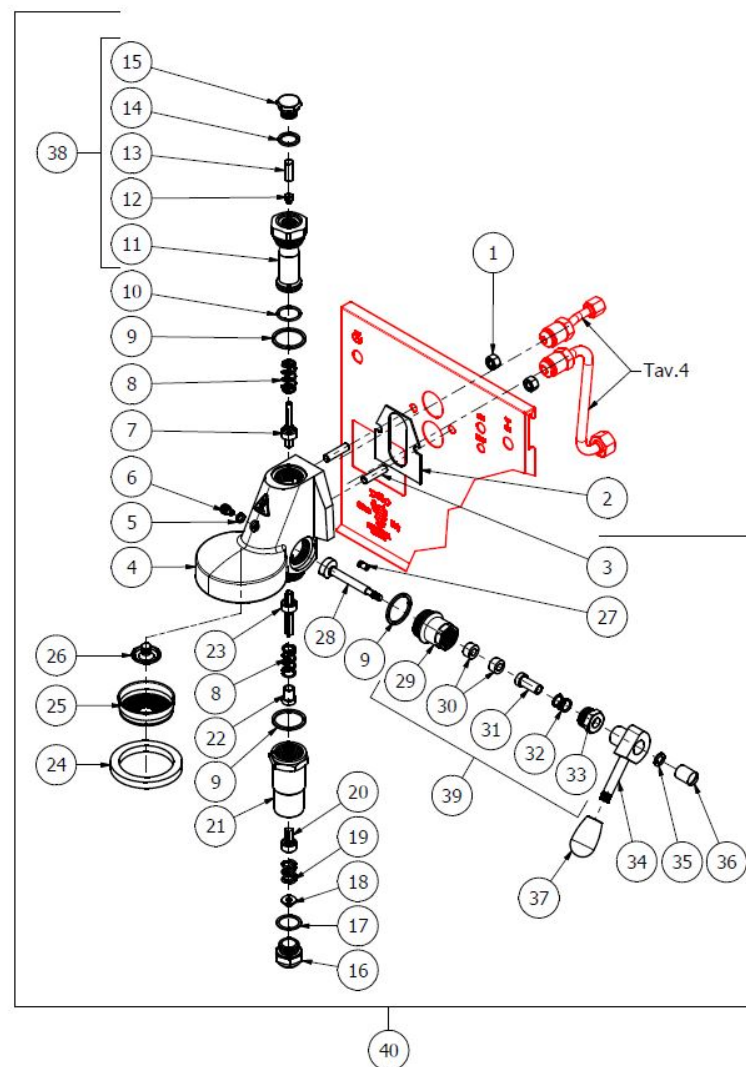


TABLE 6  
DUO Mod. MN

POS	CODE	DESCRIPTION
31	7479969	BUSHING
32	7479970	SPRING GROUP
33	7479971	PLUG CHROMED
34	7479931	E61 GROUP LEVER CHROMED
35	7479947	WASHER
36	7479948	CAP M6 D15
37	7372004	KNOB (WOOD)
38	7479933	INJECTOR D0.7 UPPER SLEEVE ASSY
39	7479949	ASSEMBLY CAM FLANGE
40	5963576AL	ASSEMBLY GROUP E61 DUO / MATRIX

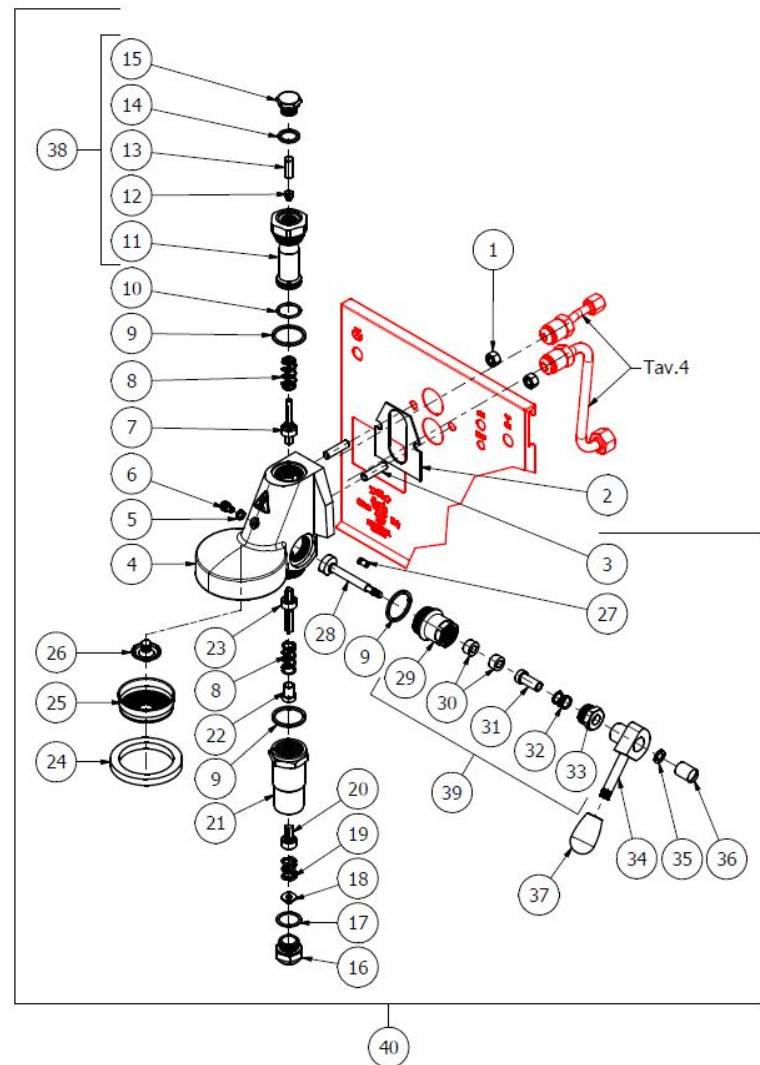
TABLE 6  
DUO Mod. MN

TABLE 6A  
DUO Mod. DE

POS	CODE	DESCRIPTION
1	5073032LW	BZ16 LED COVERAGE
2	7663623	WHITE LEDS 12V
3	7809811	SCREW TCI M3X16 DIN85 PLASTIC
4	7822602	NUT M3
5	5221863CM	CAP NUT M8 CHROMED
6	7496004	OR GASKET 139
7	7816001	SCREW TCEI M5X12 UNI5931 A2
8	5470501	SHOWER D57 AISI 304
9	7817001	SCREW TPS M5X16 A2
10	7496097	OR GASKET 55X8.1 NBR75SH PEROX ALI
11	5285501AL	SHOWER-HOLDER D57 H7,5
12	7304502TR	UNION 1/8
13	7493013	GASKET BZ07 GROUP
14	7816015	SCREW TCEI M8X25 UNI5931 A2
15	5280502TW-AL	COUPLING RING OT CHROMED
16	5283059TW-AL	GROUP BODY BZ OT60-LF
17	7819901	SCREW TBEI M4X12 ISO 7380 A2
18	5056107LL	REINFORCEMENT FRAME DUO / MATRIX DE
19	7666003	PROBE FOR PID WITH DIAM.4MM RING
20	7814001	WASHER D4 DIN 6798A A2
21	7826212	SCREW TCI M4X6 UNI6107 OT
22	5963097.01	ASSEMBLY HEATING ELEMENT 110V
22	5963098.01	ASSEMBLY HEATING ELEMENT 220/240V
23	5963575.02	ASSEMBLY GROUP BZ

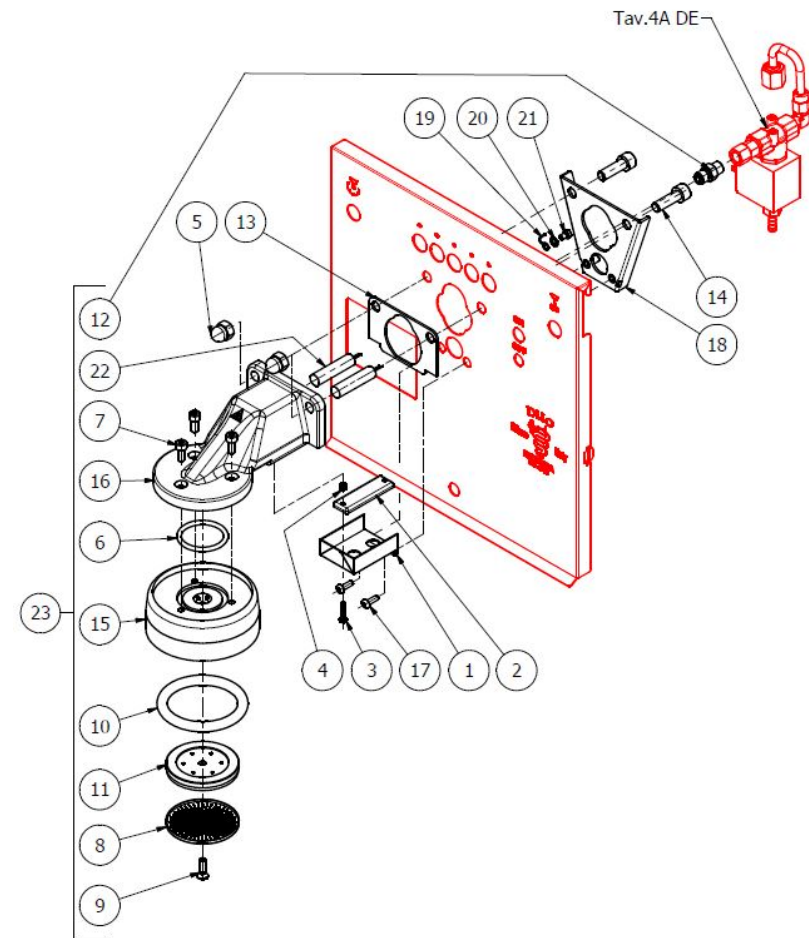
TABLE 6A  
DUO Mod. DE

TABLE 7  
DUO Mod. MN/DE

POS	CODE	DESCRIPTION
1	7496052	OR GASKET 114
2	5283055TW	TAP BODY
3	5494004	GASKET D12X5X6 PTFE
4	5496042	GASKET D11X4X4 EPT 70 (C6)
5	5225610	ARTICULATION M8 INOX
6	5222823CM	RING NUT 3/8
7	5221826CM	CAP NUT 3/8
8	5260204DL	SHAFT D12X47 AISI303
9	5471513	SPRING D8 H17 AISI302
10	7372004	WOODEN KNOB
10	7371511.01	KNOB BLACK
11	5261801	WASHER D11 AISI303
12	5224603TP	GASKET-HOLDER D12X12 OT S/PB-NI
13	7496072	OR GASKET 121
14	5471532	SPRING
15	5190501	BALL CUP D14.3 PTFE/GLASS
16	7496073	GASKET
17	7371004	INSULATING
19	7496095	OR GASKET 6X1.2 EPDM70
20	5471037	ACETALIC FILTER
21	7305019	TERMINAL 2 HOLES
22	5221872TW	NUT
23	5226621DL	FILTER CONICAL SUPPORT
24	5226622DL	RING NUT
25	5493046	GASKET D20.5x15x2
26	7479990.02TW	STEAM HOSE 2 HOLES TERMINAL
27	7479985.02TW	WATER HOSE WELDED INOX
28	5964101	ASSEMBLY STEAM HOSE WOOD
28	5964085.01AL	ASSEMBLY STEAM HOSE PLASTIC

TABLE 7  
DUO Mod. MN/DE

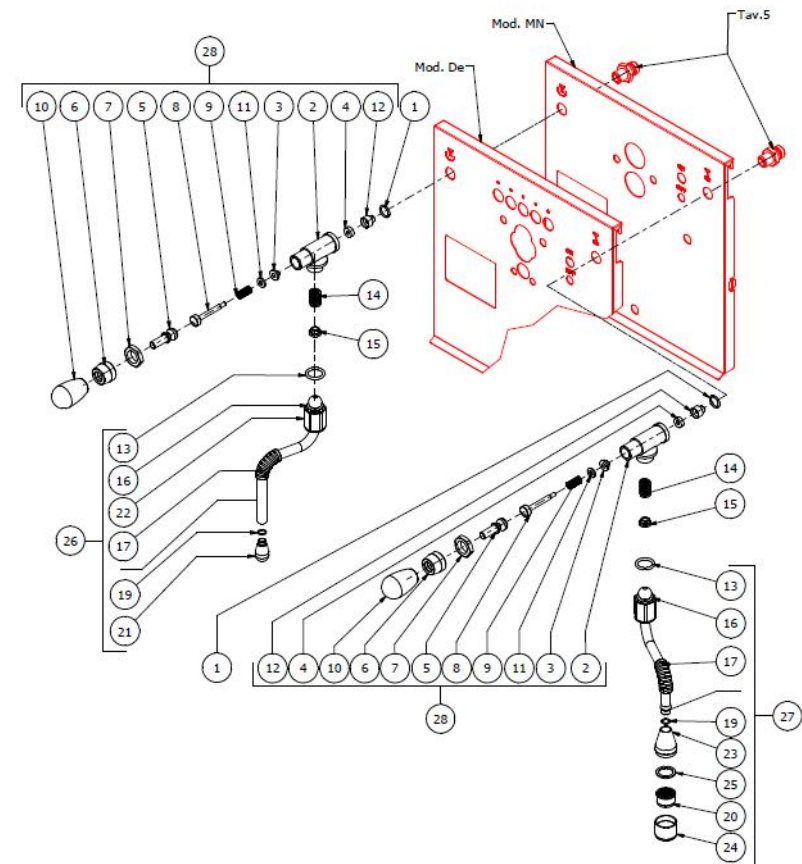




TABLE 8  
DUO Mod. MN

POS	CODE	DESCRIPTION
1	7615002	DOUBLE FASTON 45° HOLE D6.3
2	7812402	SELF-LOCKING NUT M3 INOX
3	5057012	WASHER 4X9X0.7 AISI304 2B
4	5493047.01	GASKET 130X97X3 DISPLAY DUO/MATRIX
5	5493049	GASKET 130X97X1 DISPLAY DUO/MATRIX
6	7816002	SCREW TCEI M4X12
7	5053044	HEATING ELEMENT COVER
8	7826402	SCREW TE M4X16 UNI5739 OT
9	7822603	NUT M4 OT
10	7814001	WASHER D4 DIN 6798A A2
11	7614007	CABLE HOLDER
12	7614006	NUT PG.13.5
13	7372507	PRTOTECTION WITH NICHEL-PLATED NUT
14	7633628	WHITE LAMP 110-230V FM6.3
15	7633906	MICROSWITCH M1DX20M
16	5221875CM	NUT M10x0,75
17	7633326	BIPOLAR SWITCH LEVER
18	7637209	FEEDER 25VA 12V ARCADIA
19	7635424.01	RELAY SSR FOR PID
20	7816203	SCREW TCI M3X5 UNI6107 A2
21	7663007	NOISE FILTER
22	7816017	SCREW TCEI M4X6
23	7818009	TAPPING SCREW TB D2.9X6.5 INOX
24	5058124.01LL	ELECTRICAL PARTS BRACKET DUO/MATRIX
25	7661047.01PR	CONTROL UNIT DUO/MATRIX (SW V.2.0)
26	5963187R	ASS. DISPLAY TFT 3,5" MATRIX/DUO (SW V1.1)
26	5963169.03R	ASS. DISPLAY TFT 3,5" MATRIX/DUO (SW V2.0)
27	7551001	CABLE WITH USA PLUG 125V 15A
27	7551003	CABLE WITH USA PLUG 250V 20A
27	7555001	CABLE WITH SCHUKO PLUG

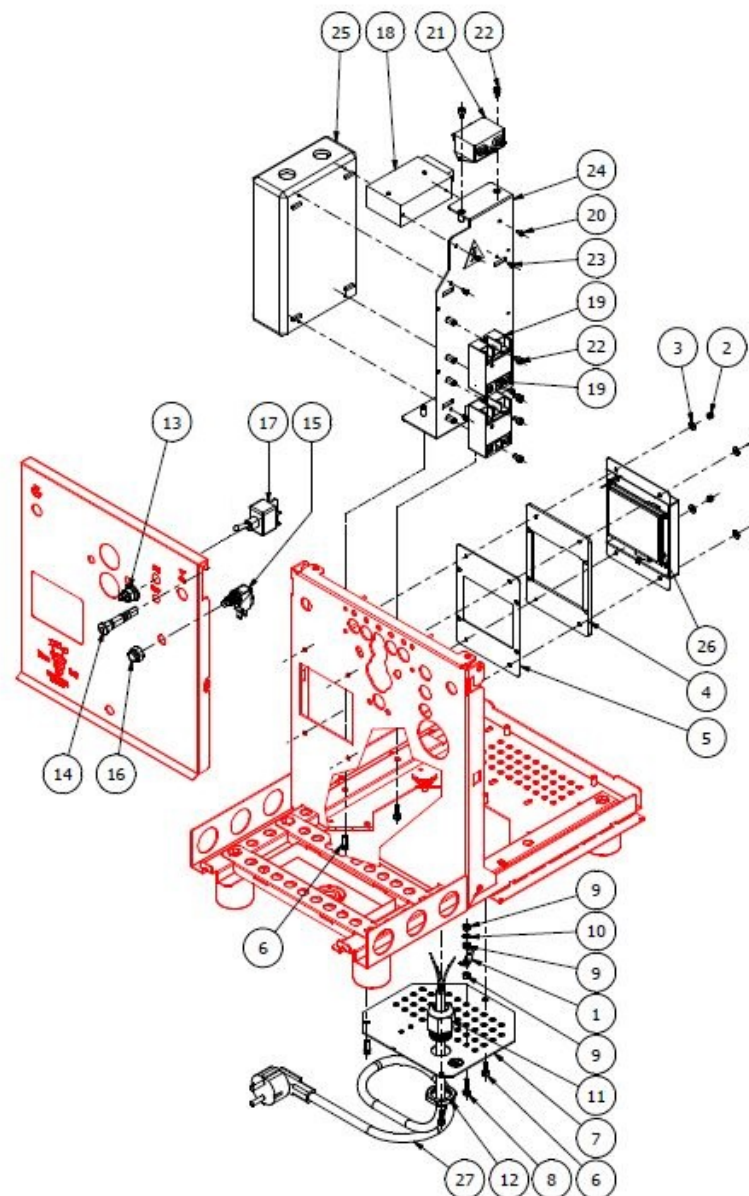
TABLE 8  
DUO Mod. MN

TABLE 8  
DUO Mod. MN

POS	CODE	DESCRIPTION
27	7554001	CABLE WITH ENGLISH PLUG
27	7552001	CABLE WITH AUSTRALIAN PLUG
27	7555003	CABLE WITH SWITZERLAND PLUG

TABLE 8  
DUO Mod. MN

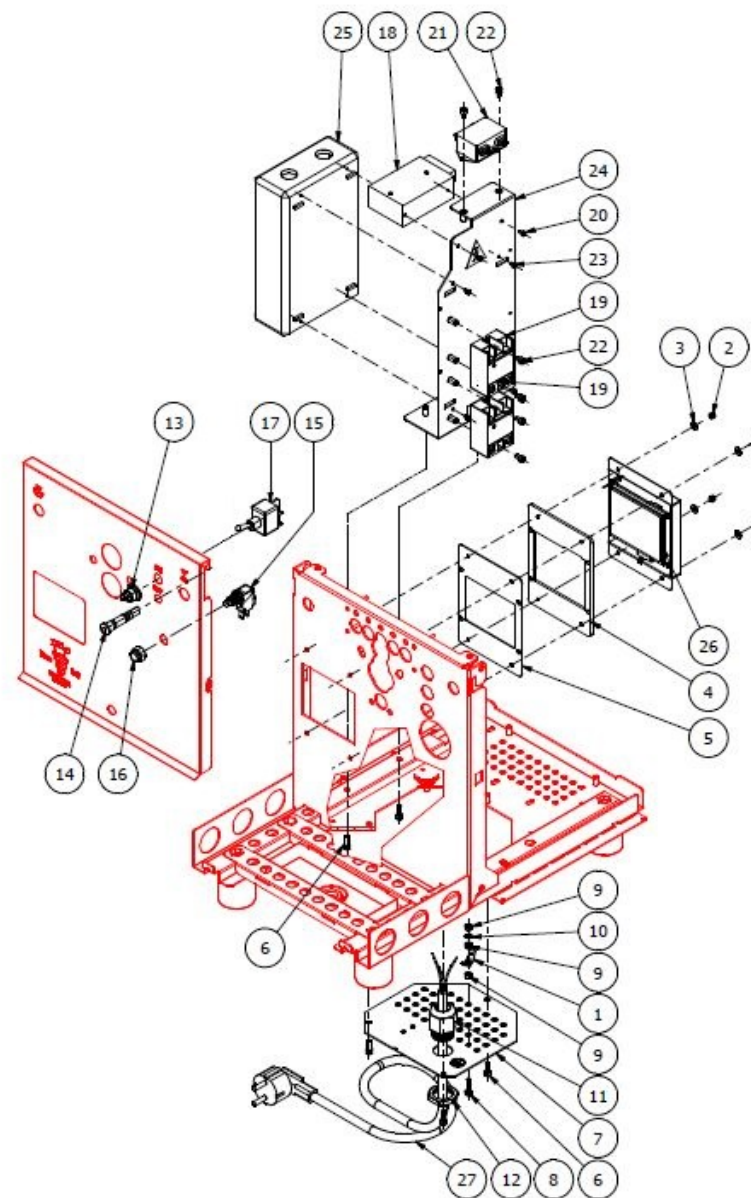


TABLE 8A  
DUO Mod. DE

POS	CODE	DESCRIPTION
1	7615002	DOUBLE FASTON 45° HOLE D6.3
2	7812402	SELF-LOCKING NUT M3 INOX
3	5057012	WASHER 4X9X0.7 AISI304 2B
4	549304	DISPLAY DUO/MATRIX7.01
5	5493049	GASKET 130X97X1 DISPLAY DUO/MATRIX
6	7816002	SCREW TCEI M4X12
7	5053044	HEATING ELEMENT COVER
8	7826402	SCREW TE M4X16 UNI5739 OT
9	7822603	NUT M4 OT
10	7814001	WASHER D4 DIN 6798A A2
11	7614007	CABLE HOLDER
12	7614006	NUT PG.13.5
13	7372507	PRTOTECTION WITH NICHEL-PLATED NUT
14	7633628	WHITE LAMP 110-230V FM6.3
15	7633326	BIPOLAR SWITCH LEVER
16	7637209	FEEDER 25VA 12V ARCADIA
17	7635424.01	RELAY SSR FOR PID
18	7816203	SCREW TCI M3X5 UNI6107 A2
19	7663007	NOISE FILTER
20	7816017	SCREW TCEI M4X6
21	7818009	TAPPING SCREW TB D2.9X6.5 INOX
22	5058124.01LL	ELECTRICAL PARTS BRACKET DUO/MATRIX
23	7665524.01PR	6 BUTTONS BOARD WITH 6 WHITE LEDS
24	5661505	5 BUTTON PACK BLACK ABS
25	5053024.02LW	PUSH-BOTTON PANEL COVERAGE
26	5191511	SPACER
27	5191514	PLASTIC SPACER L=8 mm
28	7809809	SCREW TCI M3X5 PLASTIC
29	7661047.01PR	CONTROL UNIT DUO/MATRIX (SW V.2.0)
30	5963187R	ASS. DISPLAY TFT 3,5" MATRIX/DUO (SW V1.1)

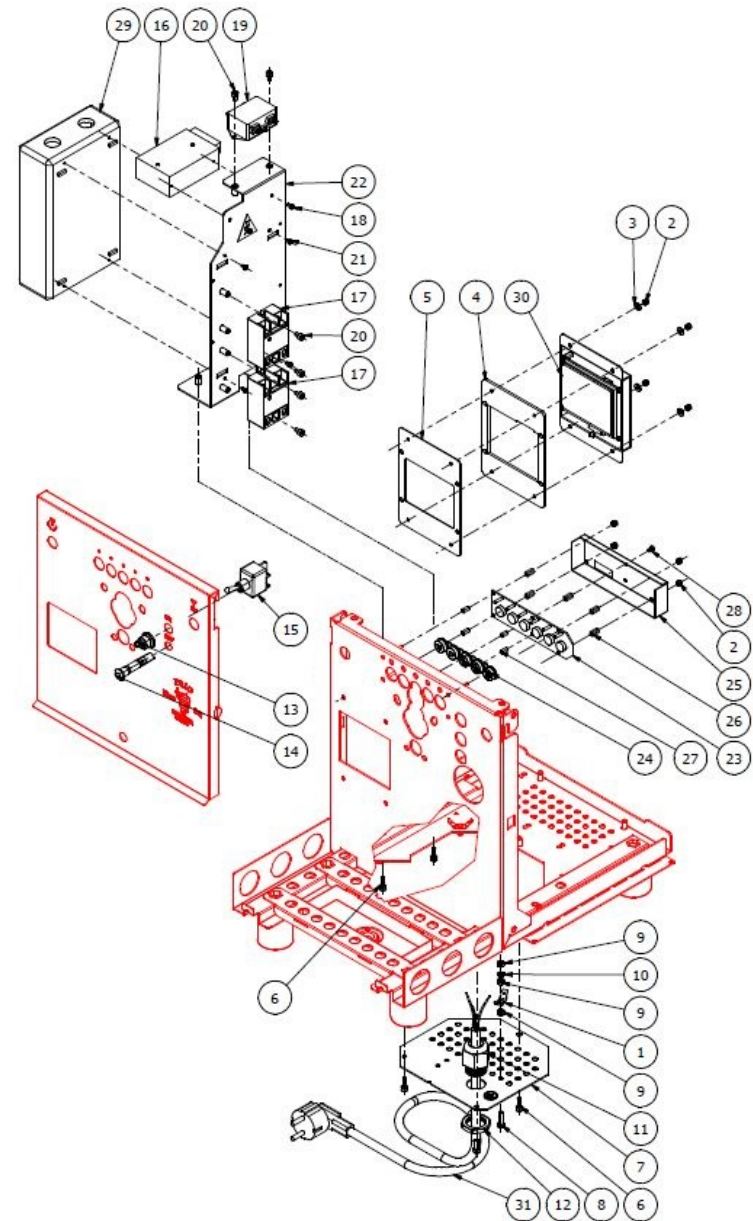
TABLE 8A  
DUO Mod. DE

TABLE 8A  
DUO Mod. DE

POS	CODE	DESCRIPTION
30	5963169.03R	ASS. DISPLAY TFT 3,5" MATRIX/DUO (SW V2.0)
31	7551001	CABLE WITH USA PLUG 125V 15A
31	7551003	CABLE WITH USA PLUG 250V 20A
31	7555001	CABLE WITH SCHUKO PLUG
31	7554001	CABLE WITH ENGLISH PLUG
31	7552001	CABLE WITH AUSTRALIAN PLUG
31	7555003	CABLE WITH SWITZERLAND PLUG

TABLE 8A  
DUO Mod. DE

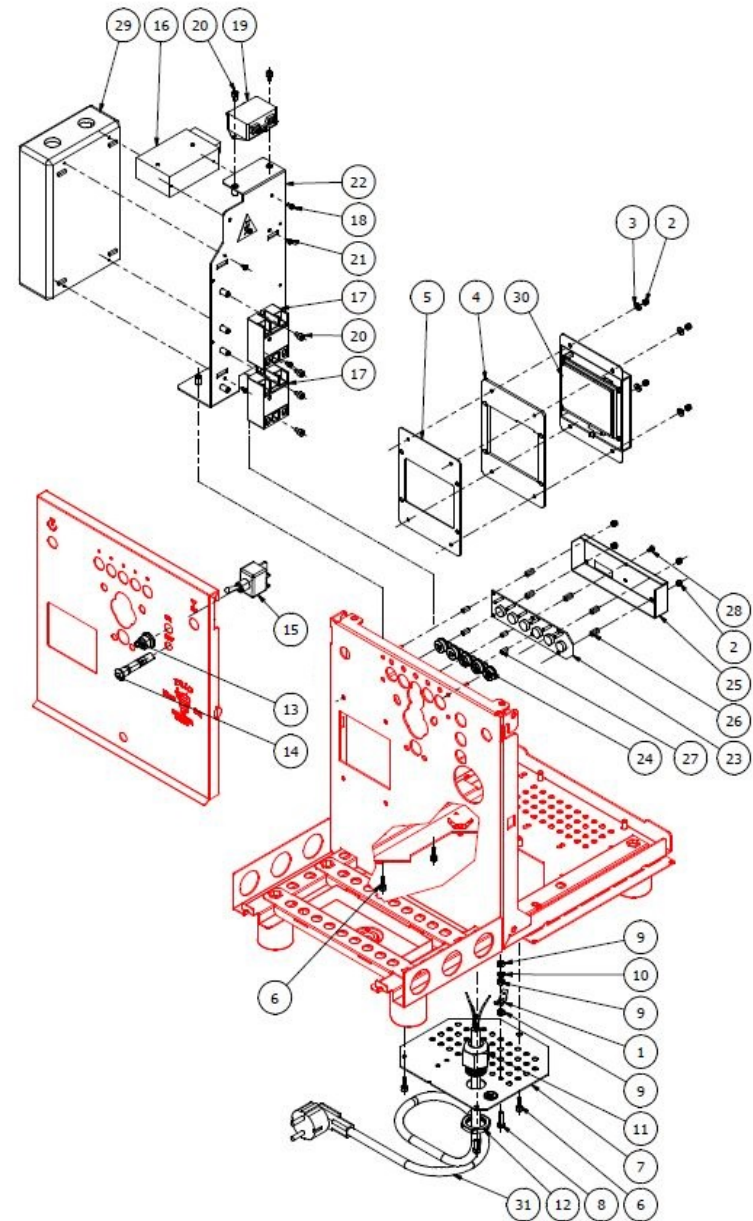


TABLE 9  
DUO Mod. DE

POS	CODE	DESCRIPTION
1	7990603	CLEANING BRUSH
2	5372101	BLACK MEASURE
3	5373001	COFFEE-PRESS
4	5471031.01	FILTER 1 CUP 8 GRAMS WITH RUN CHANNEL
5	5471035	FILTER 2 CUPS 16 GRAMS
6	5471003	FILTER AISI 430
7	5471527	SHAPED SPRING
8	5286016TW	FILTER HOLDER
9	7305006TW	SPOUT 1 WAY
10	7305007TW	SPOUT 2 WAY
11	7371520	KNOB (WOOD)
12	5965631R	ASSEMBLY FILTER-HOLDER BZ 1CUP (WOOD)
13	5965628R	ASSEMBLY FILTER-HOLDER BZ 2CUP (WOOD)

TABLE 9  
DUO Mod. DE

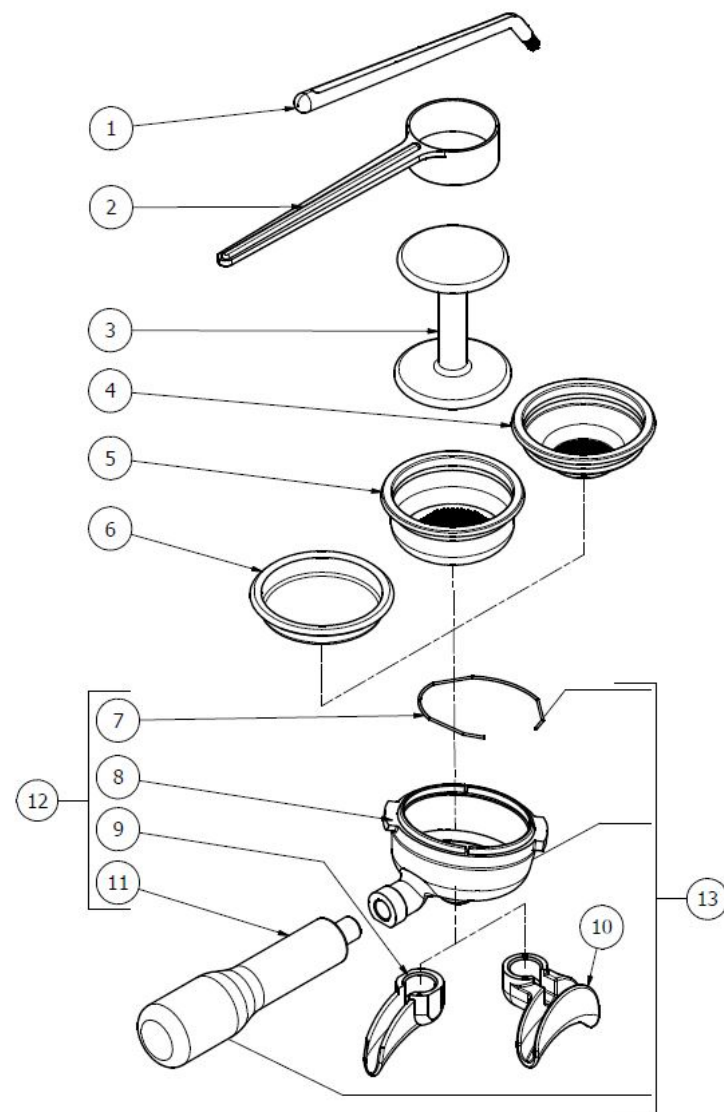


TABLE 9A  
DUO Mod. MN

POS	CODE	DESCRIPTION
1	7990603	CLEANING BRUSH
2	5372101	BLACK MEASURE
3	5373001	COFFEE-PRESS
4	5471031.01	FILTER 1 CUP 8 GRAMS WITH RUN CHANNEL
5	5471035	FILTER 2 CUPS 16 GRAMS
6	5471003	FILTER AISI 430
7	5471527	SHAPED SPRING
8	7479972.01TW	FILTER HOLDER
9	7305006TW	SPOUT 1 WAY
10	7305007TW	SPOUT 2 WAY
11	5371205	PLATE WITH LOGO
12	7816026	SCREW TCEI M12X60
13	7493021	KNOB GASKET
14	5371203	HANDLE
15	5371204.01	CHROME PLUG
16	7809810	PLASTIC SCREW D3.5x10
17	5978508.02	KNOB
18	5965588.02R	ASSEMBLY FILTER-HOLDER E61 1CUP WITH LOGO
18	5965590.02R	ASSEMBLY FILTER-HOLDER E61 2CUP WITH LOGO

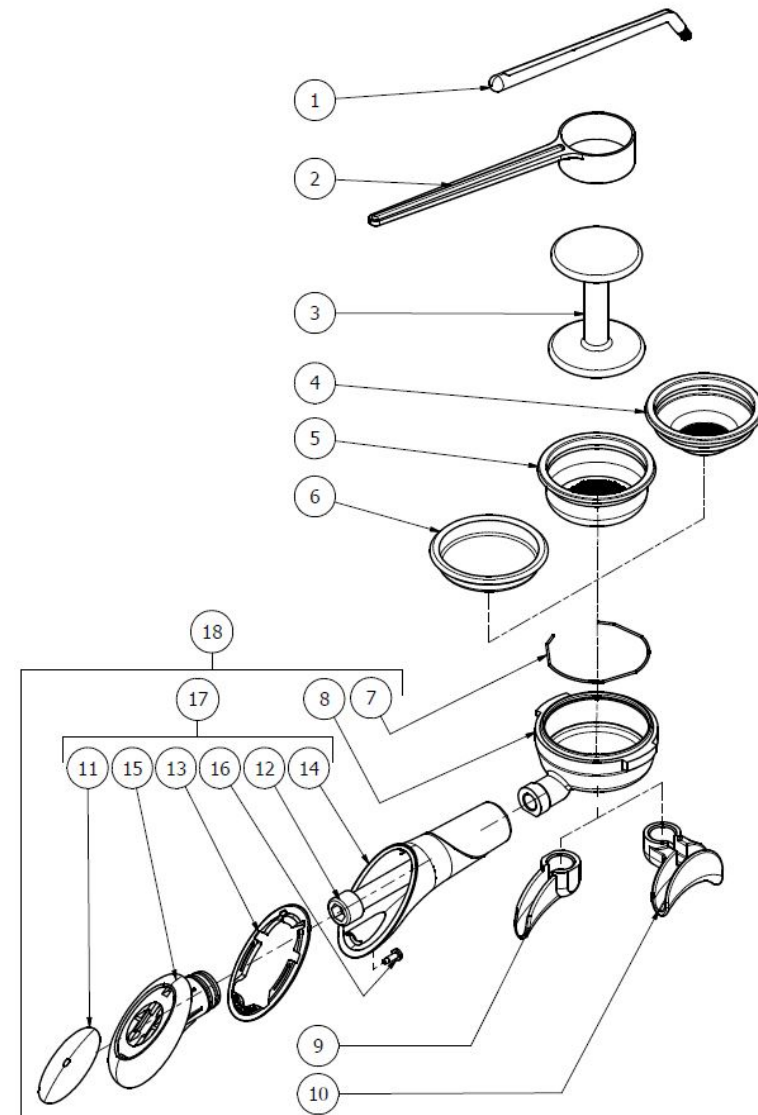
TABLE 9A  
DUO Mod. MN

TABLE 9A  
DUO Mod. DE

POS	CODE	DESCRIPTION
1	7990603	CLEANING BRUSH
2	5372101	BLACK MEASURE
3	5373001	COFFEE-PRESS
4	5471031.01	FILTER 1 CUP 8 GRAMS WITH RUN CHANNEL
5	5471035	FILTER 2 CUPS 16 GRAMS
6	5471003	FILTER AISI 430
7	5471527	SHAPED SPRING
8	5286016TW	FILTER HOLDER
9	7305006TW	SPOUT 1 WAY
10	7305007TW	SPOUT 2 WAY
11	5371205	PLATE WITH LOGO
12	7816026	SCREW TCEI M12X60
13	7493021	KNOB GASKET
14	5371203	HANDLE
15	5371204.01	CHROME PLUG
16	7809810	PLASTIC SCREW D3.5x10
17	5978508.02	KNOB
18	5965626.01R	ASSEMBLY FILTER-HOLDER BZ 1CUP WITH LOGO
18	5965625.01R	ASSEMBLY FILTER-HOLDER BZ 2CUP WITH LOGO

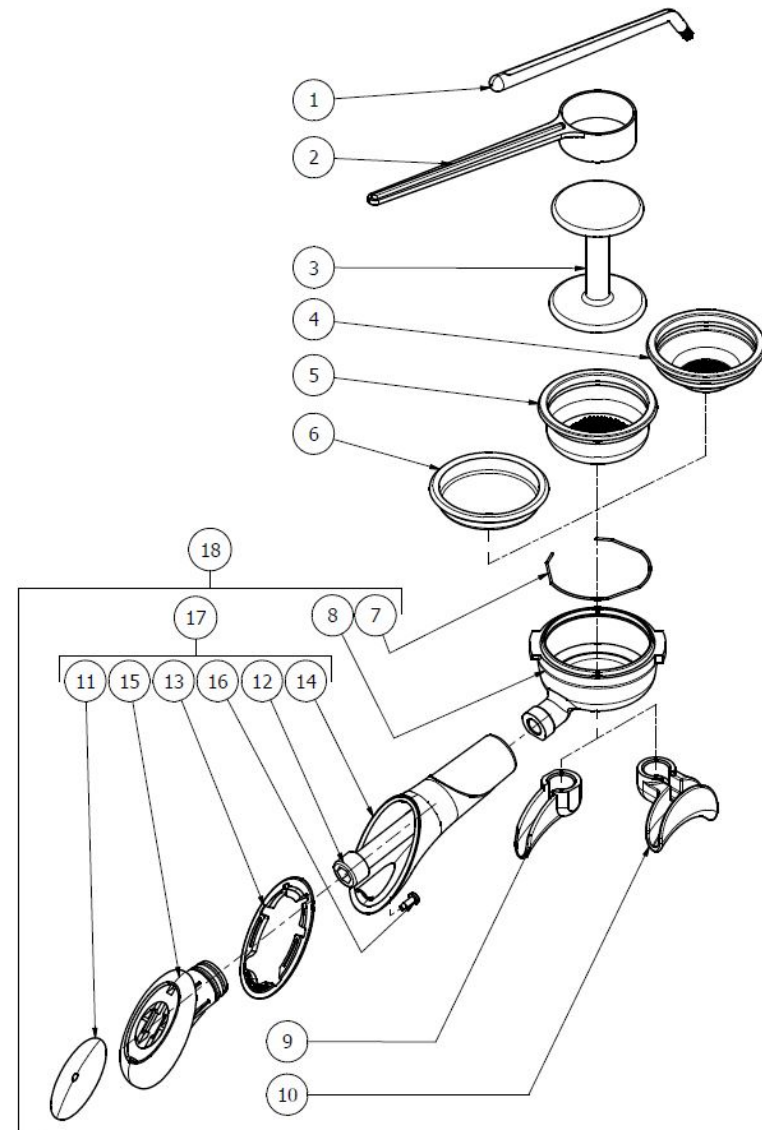
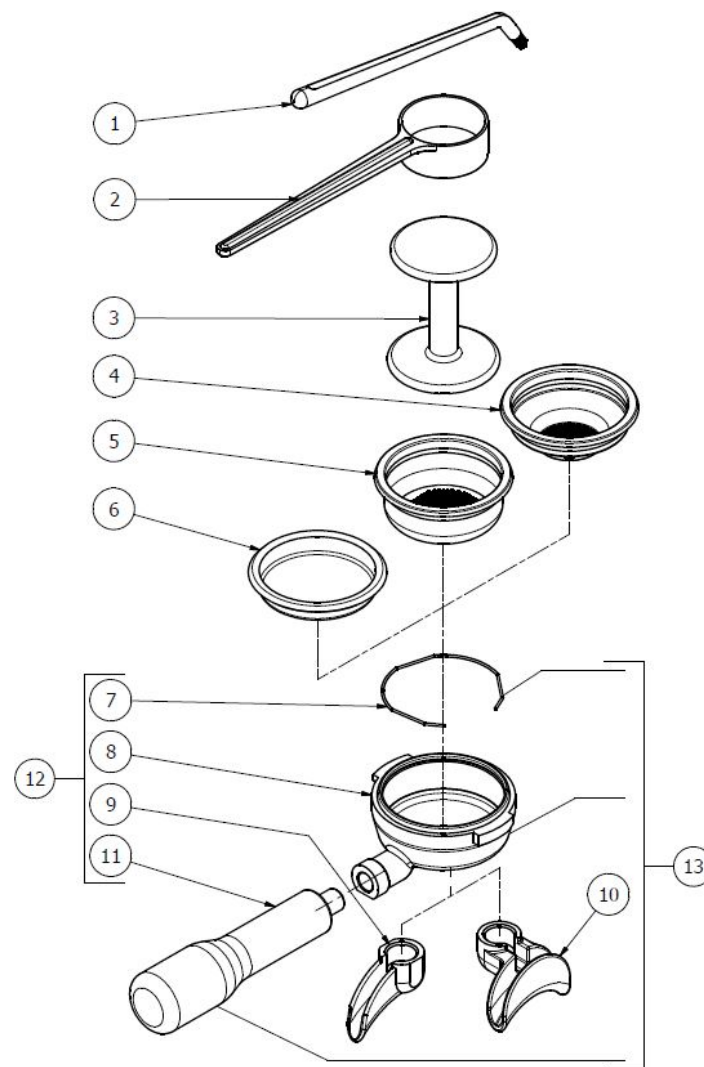
TABLE 9A  
DUO Mod. DE

TABLE 9  
DUO Mod. MN

POS	CODE	DESCRIPTION
1	7990603	CLEANING BRUSH
2	5372101	BLACK MEASURE
3	5373001	COFFEE-PRESS
4	5471031.01	FILTER 1 CUP 8 GRAMS WITH RUN CHANNEL
5	5471035	FILTER 2 CUPS 16 GRAMS
6	5471003	FILTER AISI 430
7	5471527	SHAPED SPRING
8	7479972.01TW	FILTER HOLDER
9	7305006TW	SPOUT 1 WAY
10	7305007TW	SPOUT 2 WAY
11	7371520	KNOB (WOOD)
12	5965630R	ASSEMBLY FILTER-HOLDER E61 1CUP (WOOD)
13	5965629R	ASSEMBLY FILTER-HOLDER E61 2CUP (WOOD)

TABLE 9  
DUO Mod. MN







G. BEZZERA S.R.L.  
MACCHINE PER CAFFE' ESPRESSO  
Via Luigi Bezzera, 1  
20088 Rosate - Milano - Italy  
Tel. ++39 02 90848102 r.a. - Telefax ++39 02 90870287  
Web: [www.bezzera.com](http://www.bezzera.com)  
e-mail: [admin@bezzera.it](mailto:admin@bezzera.it)