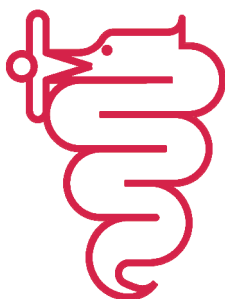


BZ09



BEZZERA

Dal 1901

COD. 9942040.06

REV.03

TABLE 1 (up to 31.11.15)

POS	CODE	DESCRIPTION
1	5964612	ASSEMBLY CHASSIS
2	5071733LL	BODY STAINLESS STEEL POLISHED
3	5340510	DRIP TRAY
4	5963068.02	TANK SUPPORT
5	5074453SG	GROUP FRONTAL PM
6	7373009	TANK 3 LT. CAPACITY
7	5074621LW	CUPS-HEATER GRID BZ07 BA
8	5074622LW	DRAIN GRID
9	7474217	ADHESIVE FEET 12,7 H5,8
10	5373102.01	HEATING ELEMENT PROTECTION
11	5073020LW	TRAY COVER STAINLESS
12	7816002	SCREW TCEI M4X12
13	7816004	SCREW TCEI M4 X 16
14	5220818	BUSHING D10 X 4.2 OT
15	7817004	SCREW TPS M4X10 DIN 963 A2
16	7474218	FEET M10 D40X46
17	7611517	CLAMP
18	5125705	SUPPORT

TABLE 1 (up to 31.11.15)

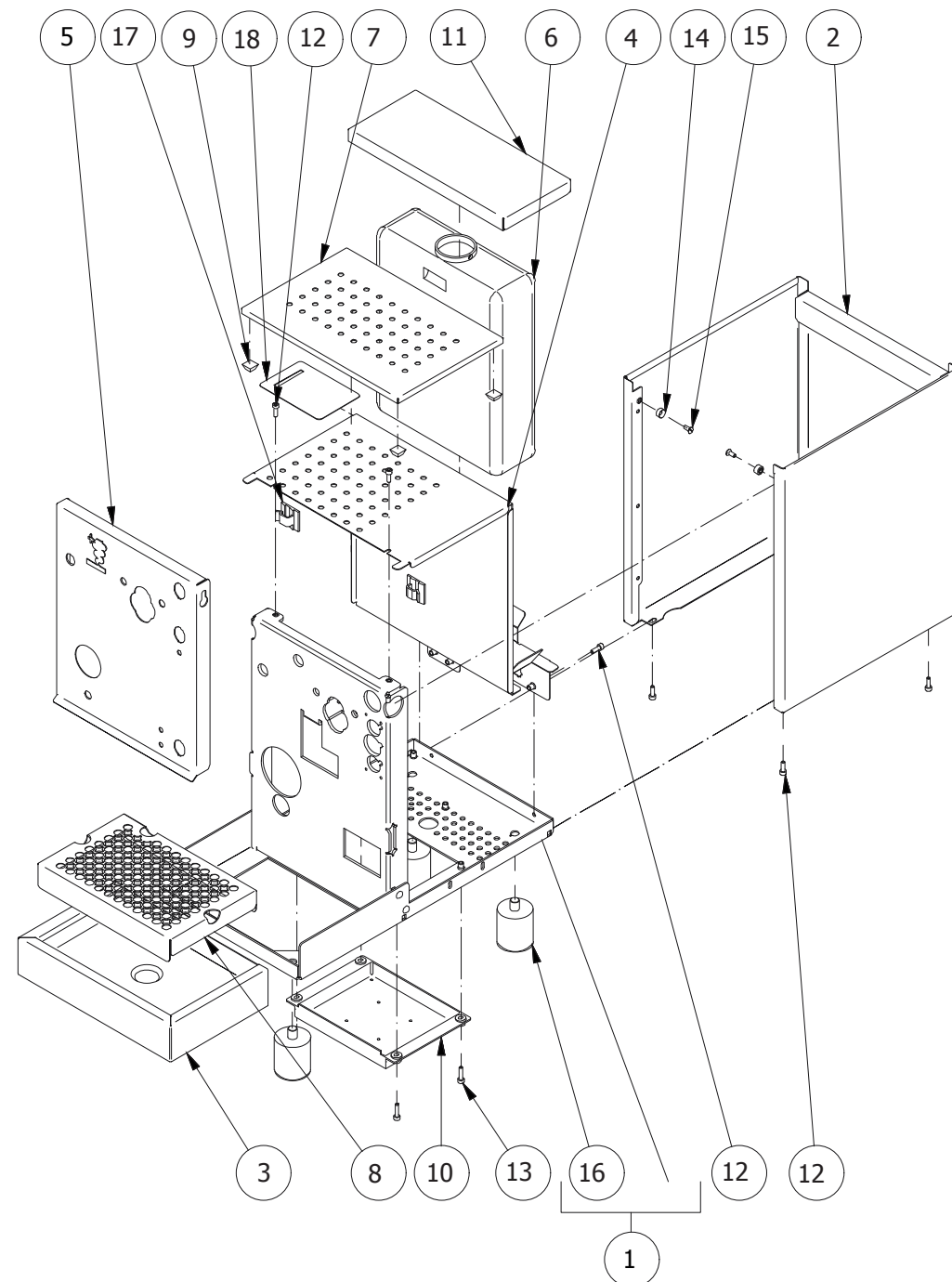


TABLE 1 (from 01.12.15)

POS	CODE	DESCRIPTION
1	5964612.01	ASSEMBLY CHASSIS
2	5071733LL	BODY STAINLESS STEEL POLISHED
3	5340510	DRIP TRAY
4	5963068.03	TANK SUPPORT
5	5074453.01SG	GROUP FRONTAL PM
6	7373009	TANK 3 LT. CAPACITY
7	5074621LW	CUPS-HEATER GRID BZ07 BA
8	5074622LW	DRAIN GRID
9	7474217	ADHESIVE FEET 12,7 H5,8
10	5373102.01	HEATING ELEMENT PROTECTION
11	5073020LW	TRAY COVER STAINLESS
12	7816002	SCREW TCEI M4X12
13	7816004	SCREW TCEI M4 X 16
14	5521512	LABLE "BEZZERA"
15	5125705	SUPPORT
16	7474218	FEET M10 D40X46
17	7611517	CLAMP

TABLE 1 (from 01.12.15)

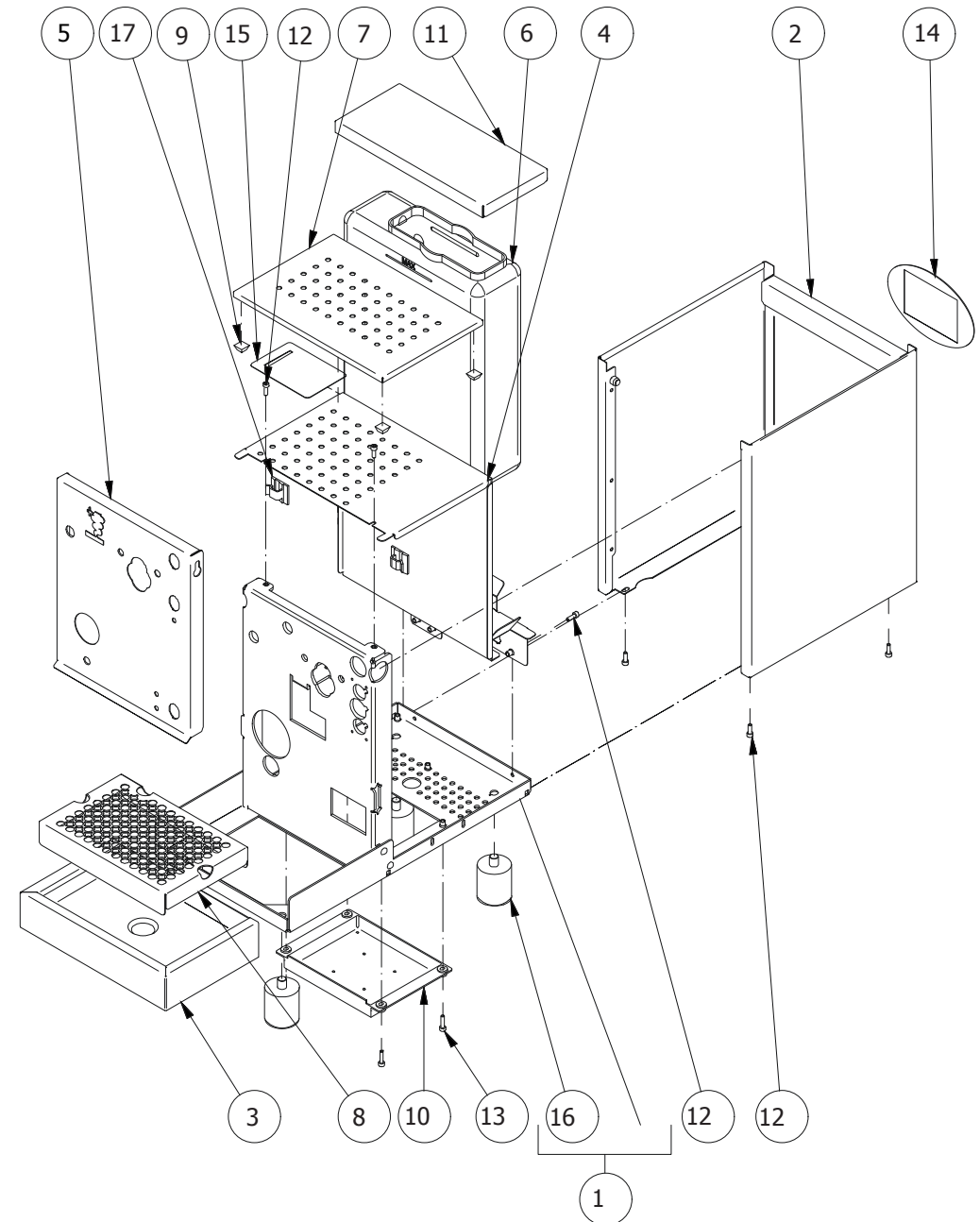


TABLE 2 (up to 26.02.14)

POS	CODE	DESCRIPTION
1	5283053TP	SURPRESSION VALVE BODY
2	5224615TP	GASKET-HOLDER
3	5302017TP	STRAIGHT FITTING M12 H26.5 OT
4	5493042	GASKET D.11X3
5	5224620TP	GASKET-HOLDER
6	5302077TP	RUBBER-HOLDER FITTING
7	5471505	CALIBRATED SPRING D0.45 H22 AISI 302
8	5471539	CALIBRATED SPRING D.1,6
9	7496018	OR GASKET 105 VITON
10	5194549	HOSE D8X5 L=350 SILICONE
11	7303033	FITTING "Y"
12	5194591	D6X4 L=550 SILICONE HOSE
13	5194562	DRAIN LITTLE HOSE
14	5225411TP	FITTING 1/8"G MF
15	7304502TR	STRAIGHT FITTING 1/8"G
16	7452512	VALVE
17	5162296LL	BOILER LOAD HOSE
18	5194589LL	PUMP HOSE L=200
19	7496052	OR GASKET 114
20	7304507TR	UNION ELBOW 1/8"G MF OT
21	7496085	OR GASKET D7.2X1.9 NBR 70SH
22	5965212AL	ASSEMBLY SURPRESSION VALVE 12BAR

TABLE 2 (up to 26.02.14)

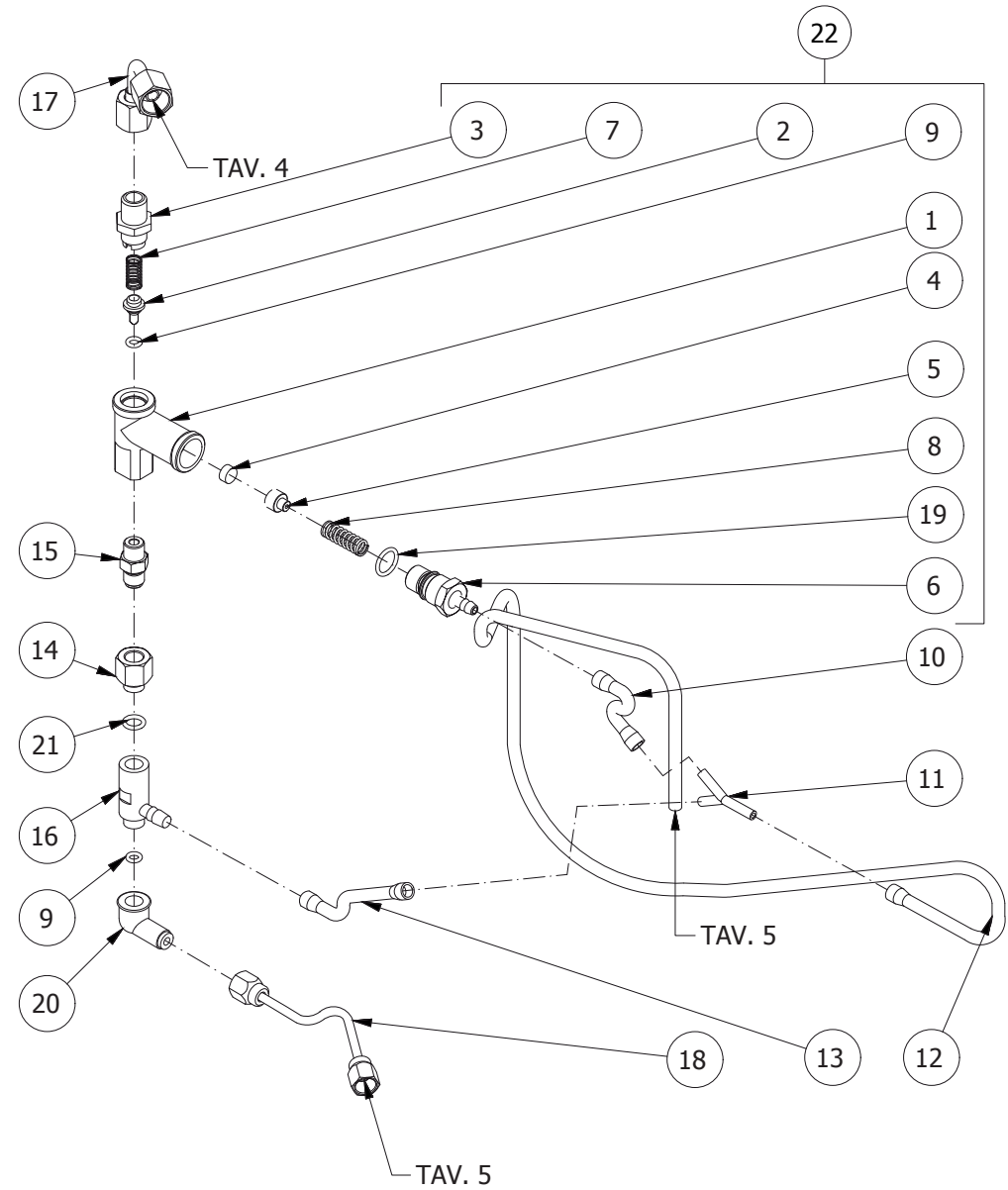


TABLE 3 (up to 28.01.14)

POS	CODE	DESCRIPTION
1	7305013	TERMINAL 2 HOLES
2	7496083	OR GASKET D4,5X1,5 NBR70
3	7371003	INSULATING
4	7493013	INSULATING
5	5283046TW	DELIVERY GROUP BODY
6	5964085AL	ASSEMBLY TAP
7	5283047TW	TAP BODY OT
8	5221826CM	NUT 3/8"G ES.22X5
9	5494004	GASKET D12 X 6 PTFE GRAPHITIZED
10	5261801	WASHER D11
11	5260204DL	SHAFT D12X47
12	5496042	GASKET D11X4X4 EPT 70 (C6)
13	5224603TP	GASKET-HOLDER
14	5225610	ARTICULATION M8 INOX
15	5222823CM	RING NUT 3/8"G H17
16	7371511.01	LEVER KNOB
17	5471513	SPRING
18	7479975	ASSEMBLY STEAM HOSE TERMINAL 2 HOLES
19	5190501	COMPLETE CUP
20	5225410TP	FITTING M14XM13 H26
21	7816001	SCREW TCEI M5X12 UNI5931 A2
22	7493016	GASKET H 9,3 NBR 75SH
23	5285501TP	SHOWER-HOLDER D57
24	7816014	SCREW M8X20 UNI5931 A2
25	5221863CM	CAP NUT M8 CHROMED
26	5280502TW	COUPLING RING OT CHROMED
27	7304502TR	STRAIGHT FITTING 1/8"G
28	7817001	SCREW TPS M5X16 A2
29	5470501	SHOWER D57 AISI 304
30	7496072	OR GASKET 121
31	5963097.01	ASSEMBLY HEATING ELEMENT 110V
31	5963098.01	ASSEMBLY HEATING ELEMENT 220/240V
32	5471532	SPRING
33	7496073	OR GASKET 115 EP856
34	5221872TW	NUT 3/8"G
35	7634808	THERMIC SAFETY DEVICE 250V 95°C AUTOMATIC
36	7496004	OR GASKET 139
37	7496084	GASKET
38	7305014	TERMINAL 2 HOLES
39	7479990TW	ASSEMBLY STEAM HOSE TERMINAL 2 HOLES

TABLE 3 (up to 28.01.14)

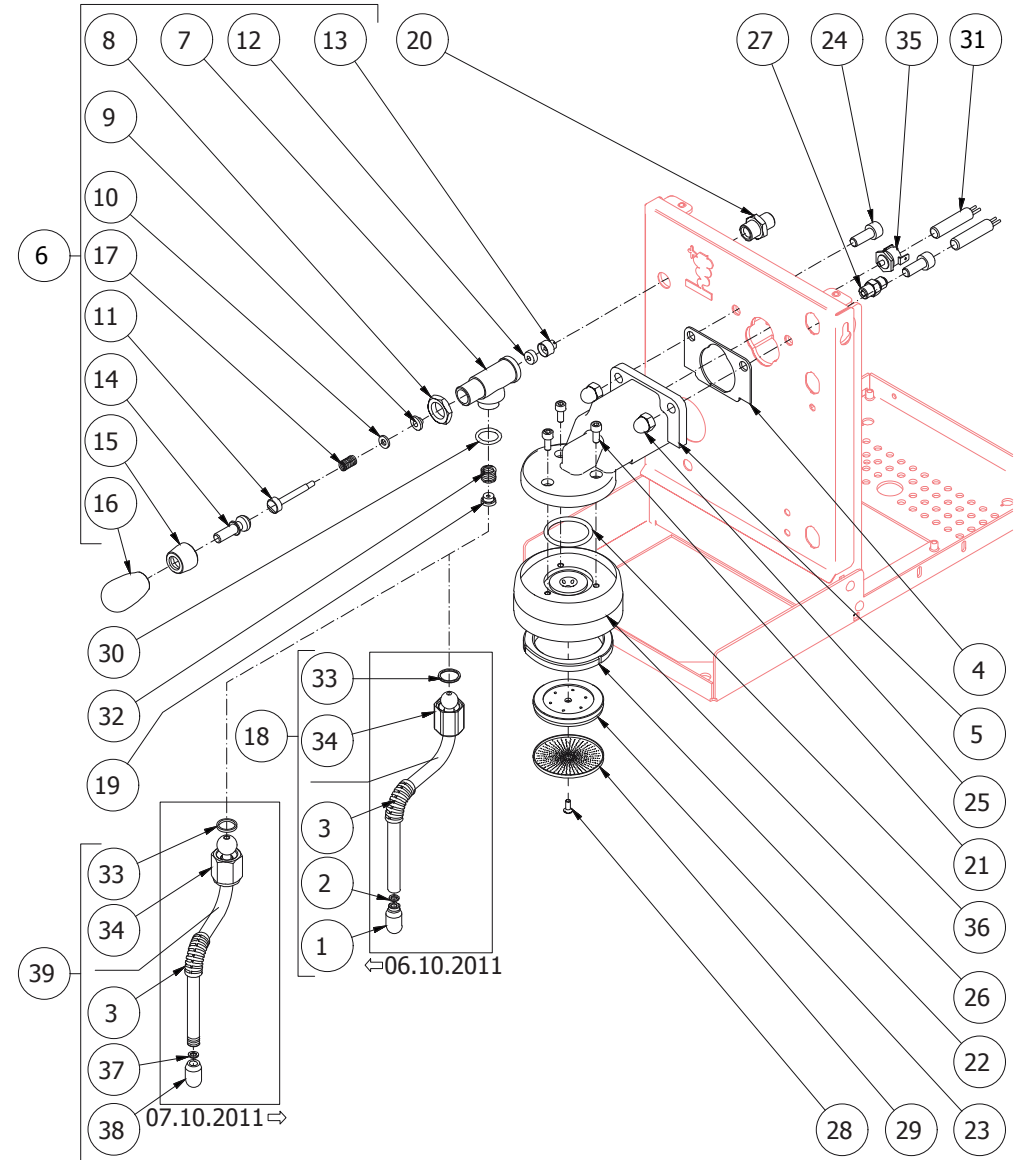


TABLE 3 (from 09.06.17)

POS	CODE	DESCRIPTION
1	7496052	OR GASKET 114
2	5225416TP	FITTING M14X1 WHIT OR
3	7371004	INSULATING
4	7493013	INSULATING
5	5283046TW	DELIVERY GROUP BODY
6	5964085.01AL	ASSEMBLY TAP WITH OR
7	5283055TW	TAP BODY OT FOR OR
8	5221826CM	NUT 3/8"G ES.22X5
9	5494004	GASKET D12 X 6 PTFE GRAPHITIZED
10	5261801	WASHER D11
11	5260204DL	SHAFT D12X47
12	5496042	GASKET D11X4X4 EPT 70 (C6)
13	5224603TP	GASKET-HOLDER
14	5225610	ARTICULATION M8 INOX
15	5222823CM	RING NUT 3/8"G H17
16	7371511.01	LEVER KNOB
17	5471513	SPRING
19	5190501	COMPLETE CUP
21	7816001	SCREW TCEI M5X12 UNI5931 A2
22	7496092	GASKET OR 55X8,1 NBR75SH PEROX
23	5285501TP	SHOWER-HOLDER D57
24	7816014	SCREW M8X20 UNI5931 A2
25	5221863CM	CAP NUT M8 CHROMED
26	5280502TW	COUPLING RING OT CHROMED
27	7304502TR	STRAIGHT FITTING 1/8"G
28	7817001	SCREW TPS M5X16 A2
29	5470501	SHOWER D57 AISI 304
30	7496072	OR GASKET 121
31	5963097.01	ASSEMBLY HEATING ELEMENT 110V
31	5963098.01	ASSEMBLY HEATING ELEMENT 220/240V
32	5471532	SPRING
33	5494017	ARTICULATION GASKET
34	5221872TW	NUT 3/8"G
35	7634808	THERMIC SAFETY DEVICE 250V 95°C AUTOMATIC
36	7496004	OR GASKET 139
37	7496095	GASKET
38	7305019	TERMINAL 2 HOLES
39	7479990.02TW	ASSEMBLY STEAM HOSE TERMINAL 2 HOLES

TABLE 3 (from 09.06.17)

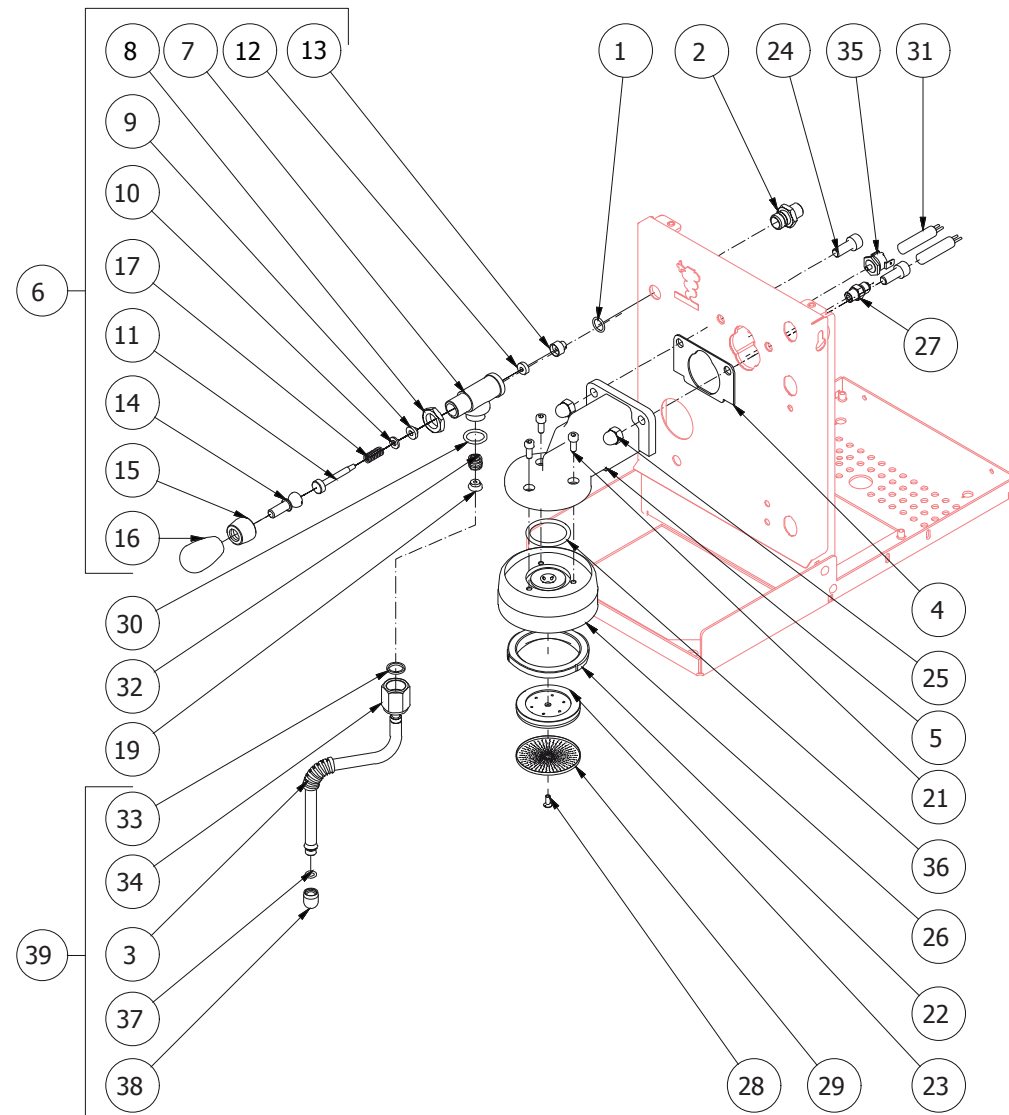


TABLE 5

POS	CODE	DESCRIPTION
1	5194648	PUMP-SOLENOID VALVE HOSE KIT(up to 13.12.15)
1	5194639	PUMP-SOLENOID VALVE HOSE(from 14.01.15)
2	7611516	CLAMP
3	7303006	RUBBER-HOLDER FITTING
4	5194582	HOSE
5	7731022	VIBRATION PUMP EX5 220V 60HZ WITH OR
5	7731020	VIBRATION PUMP EX5 230V WITH OR
5	7731018	VIBRATION PUMP EX5 100V C/OR
5	7731019	VIBRATION PUMP EX5 120V WITH OR
5	7731021	VIBRATION PUMP EX5 240V WITH OR
6	7470602	VIBRATION-DAMPING
7	7303042TR	PUMP HOSE L=200(up to 13.12.15)
8	7805009	PUMP HOSE L=200(dal 14.12.15)
9	7816004	SCREW TCEI M4 X 16
10	7374015	FILTER
11	5194555R	HOSE WITH FILTER
12	7634816	THERMIC SAFETY DEVICE 100°C AUTOMATIC
13	5225418TP	UNION WITH OR HOUSING 1/8"G
14	7496018	OR GASKET 105 VITON

TABLE 5

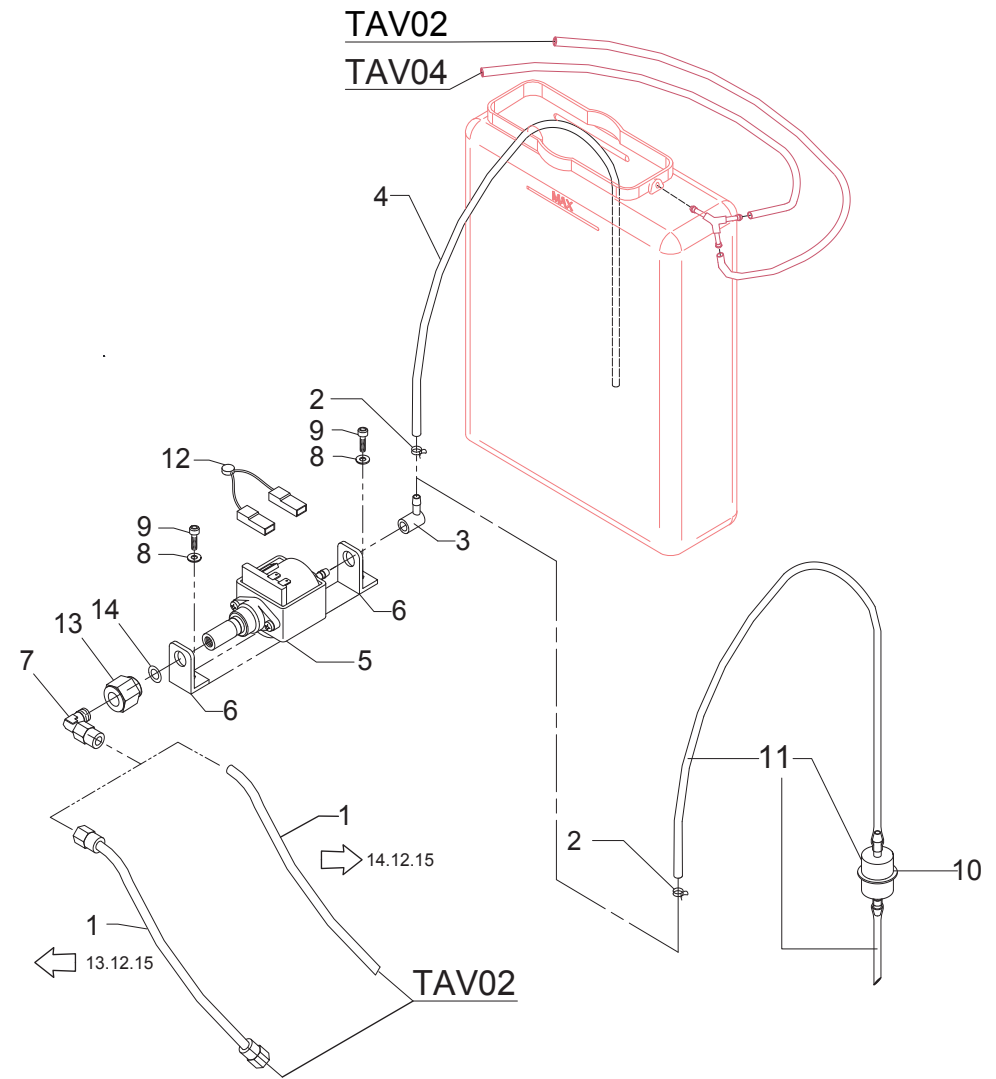


TABLE 6 (from 01.12.15)

POS	CODE	DESCRIPTION
1	5074453.01SG	GROUP FRONTAL PM
2	7816002	SCREW TCEI M4X12
3	5037832LL	SQUARE FOR THERMOSTAT SUPPORT
4	7633625	ORANGE LAMP 110/230V
5	7633626	RED LAMP 110/230V
6	7633624	GREEN LAMP 110/230V
7	7614006	NUT PG13,5
8	7614007	CABLE-PRESS PG13,5
9	7633326	BIPOLAR SWITCH
10	7434011	THERMOSTAT
11	7434012	KNOB
12	7434013	RING NUT
13	7826212	SCREW TCI M4X6 UNI 6107 OT
14	7551001	CABLE WITH USA PLUG 125V 15A
14	7551003	CABLE WITH USA PLUG 250V 20A
14	7554001	CABLE WITH ENGLISH PLUG
14	7555001	CABLE WITH SCHUKO PLUG
14	7552001	CABLE WITH AUSTRALIAN PLUG
14	7555003	CABLE WITH SWITZERLAND PLUG
15	7633907	MICROSWITCH
16	7819911	SCREW TTEI M4X25
17	7372507	SWITCH PROTECTION

TABLE 6(from 01.12.15)

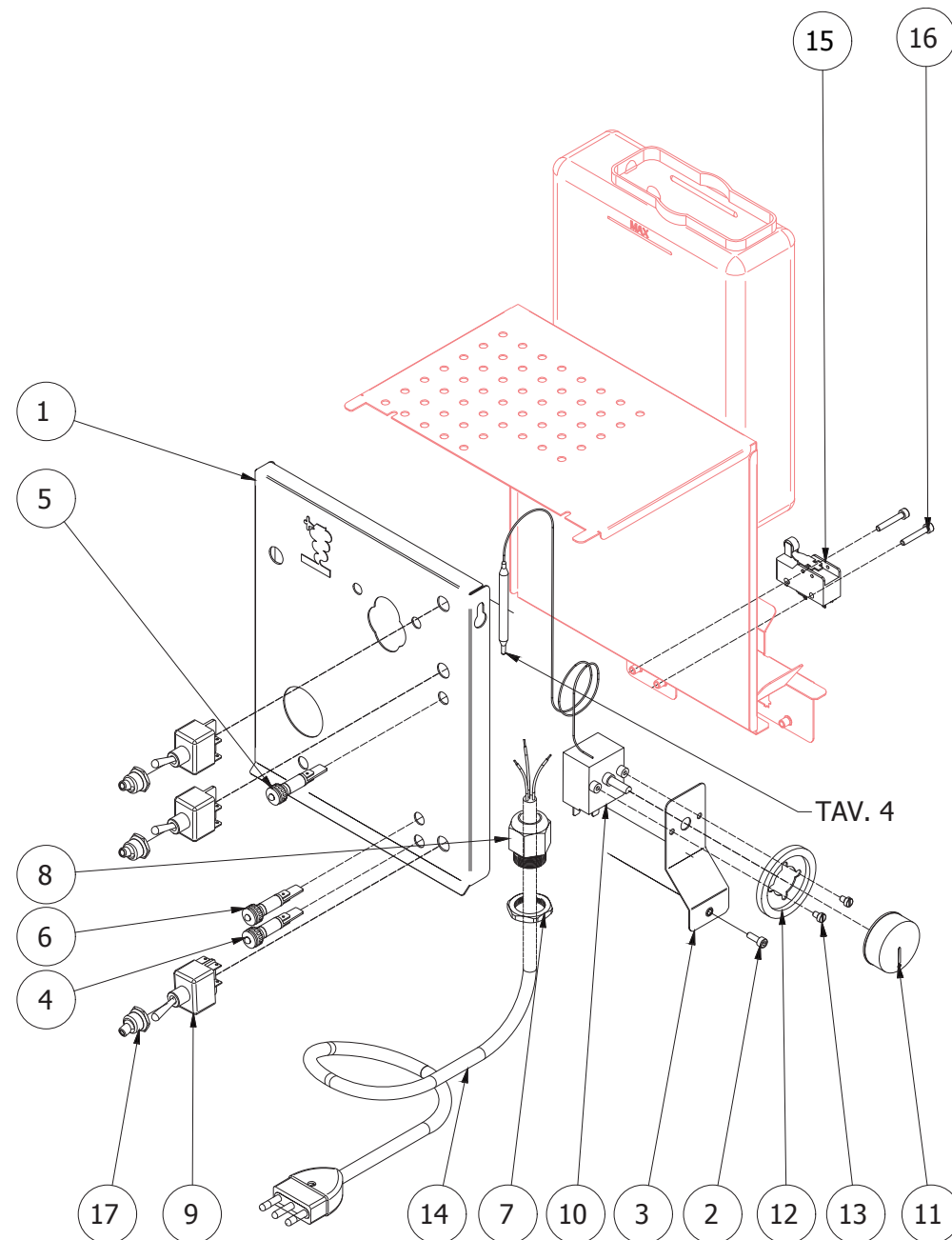
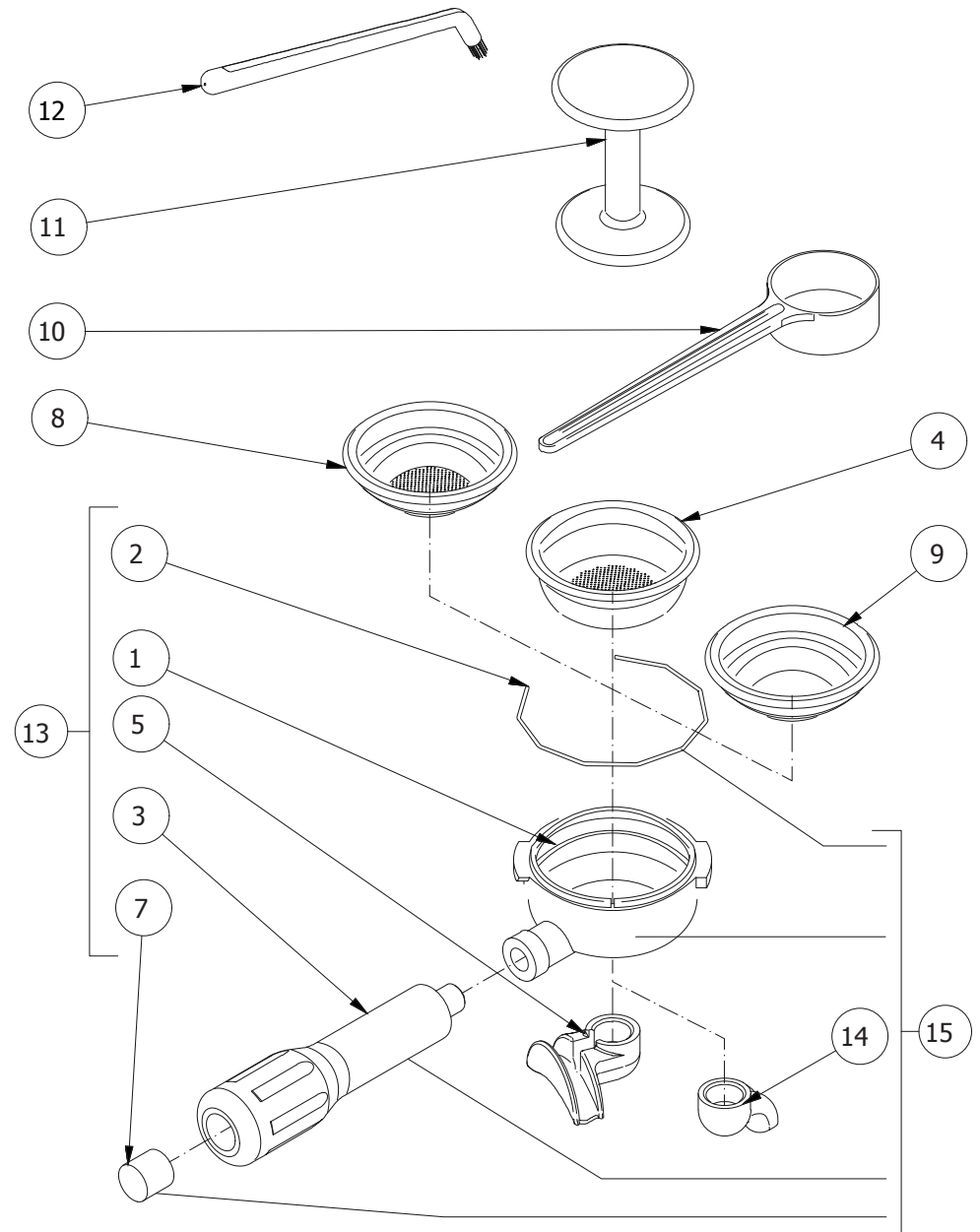
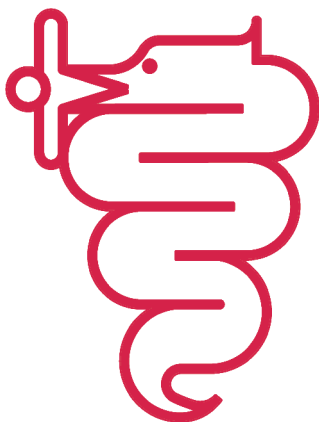


TABLE 7 (up to 28.02.10)

POS	CODE	DESCRIPTION
1	5286016TW	FILTER-HOLDER
2	5471527	FILTER-HOLDER SPRING D1.2 AISI 302
3	7371502	KNOB POLISHED
4	5471007	FILTER 2 CUPS 12 GRAMS
4	5471016	FILTER 2 CUPS 14 GRAMS
5	7288501TW	SPOUT 2 WAY SHORT
7	5373915CM	KNOB CHROME CAP
8	5471004	FILTER 1 CUP 6 GRAMS
8	5471011	FILTER 1 CUP 8 GRAMS
9	5471003	BLIND FILTER
10	5372101	MEASURER
11	5373001	COFFEE-PRESS
12	7990603	CLEANING BRUSH
13	5965604R	ASSEMBLY FILTER-HOLDER 2 CUPS
14	7288505TW	SPOUT 1 WAY SHORT
15	5965603R	ASSEMBLY FILTER-HOLDER 1 CUP

TABLE 7 (up to 28.02.10)





BEZZERA

Dal 1901

G. BEZZERA S.R.L.
MACCHINE PER CAFFE' ESPRESSO

Via Luigi Bezzera,1

20088 Rosate - Milano - Italy

Tel. 02 90848102 r.a. - Telefax 02 90870287

Web: www.bezzera.com

e-mail: admin@bezzera.it