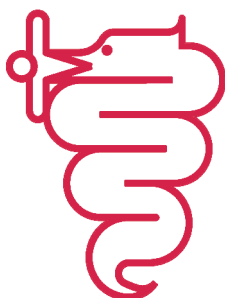


# HOBBY



**BEZZERA**

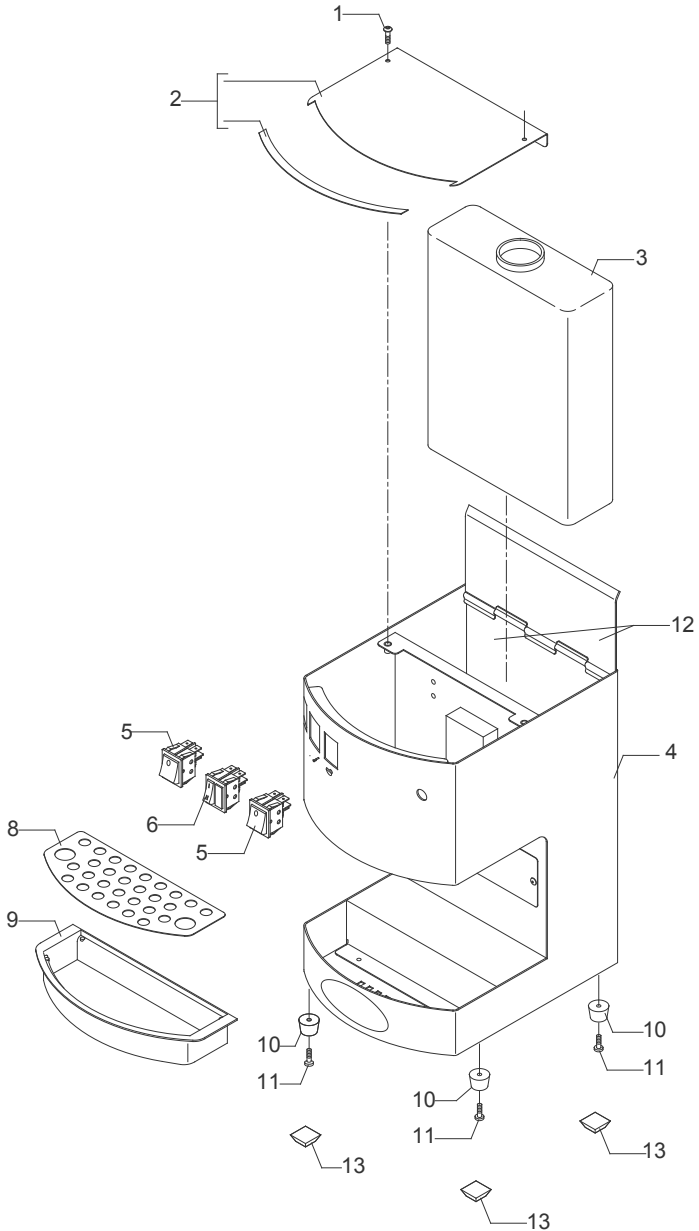
Dal 1901

**COD. 9942007.10**

**REV.00**

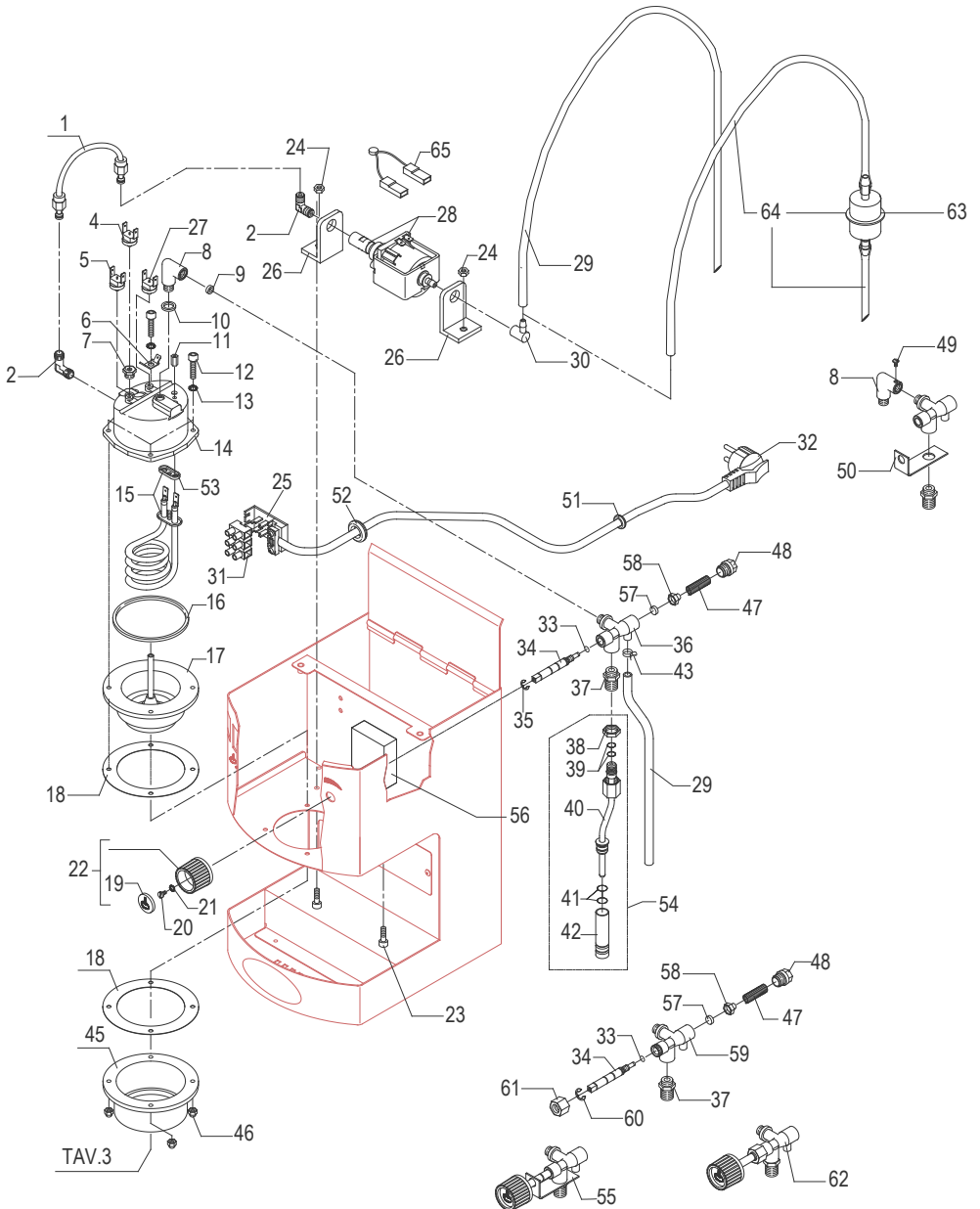


TABLE 1



	<b>POS</b>	<b>CODE</b>	<b>DESCRIPTION</b>
<b>TABLE 2 (up to 01.10.10)</b>	1	5194522LL	PUMP-BOILER HOSE
	2	7303001TR	UNION ELBOW 1/8"G
	4	7634815	THERMIC SAFETY DEVICE 250V 140°C AUTOMATIC
	5	7634814	THERMIC SAFETY DEVICE 250V 162°C MANUAL
	6	7615002	DOUBLE FASTON 90° HOLE D6.3
	7	5226411TP	PLUG 1/8"G ES.12 H10 HOLE M4 OT
	8	5301514	UNION ELBOW 1/8"G X M10
	9	5494001	GASKET D8.5 X 5 X 3.2 PTFE
	10	5221858	WASHER D10 X 2 COPPER
	11	5222210	SPACER M4 H11
	12	7816021	SCREW TCEI M5X25 UNI 5931 A2
	13	7814002	NOTCHED WASHER D5 DIN 6798A A2
	14	5283023TT	UPPER BOILER D70 H59 OT
	15	5721201	HEATING ELEMENT 1100W 120V WITH GASKET
	15	5722424	HEATING ELEMENT 1100W 220/230V WITH GASKET
	15	5722428	HEATING ELEMENT 1100W 240V WITH GASKET
	16	7496060	OR GASKET 177 VITON
	17	5283021TT	BOTTOM BOILER D102 OT
	18	5492023	GASKET D103 X 73 X 0.5 ASBESTOS FREE
	19	5373901	STEAM PLUG D21
	20	7816205	SCREW TCI M4X10 UNI 6107 OT
	21	7814001	WASHER Ø 4
	22	5973001	COMPLETE STEAM KNOB
	23	7816001	SCREW TCEI M5X12 UNI5931 A2
	24	7811601	SELF-LOCKING NUT M5 UNI 7474 A2
	25	7370502	CLAMP HOUSING
	26	7470602	VIBRATION-DAMPING
	27	7634808	THERMIC SAFETY DEVICE 250V 95°C AUTOMATIC
	28	7731018	VIBRATION PUMP EX5 100V C/OR
	28	7731019	VIBRATION PUMP EX5 120V WITH OR
	28	7731022	VIBRATION PUMP EX5 220V 60HZ WITH OR
	28	7731020	VIBRATION PUMP EX5 230V WITH OR
	28	7731021	VIBRATION PUMP EX5 240V WITH OR
	29	-	SEE POS. 64
	30	7303006	RUBBER-HOLDER FITTING
	31	7612508	CLAMP
32	7552001	CABLE WITH AUSTRALIAN PLUG	
32	7555001	CABLE WITH SCHUKO PLUG	
32	7551001	CABLE WITH USA PLUG 125V 15A	
32	7551003	CABLE WITH USA PLUG 250V 20A	
32	7554001	CABLE WITH ENGLISH PLUG	
32	7555003	CABLE WITH SWITZERLAND PLUG	
33	7496065	OR GASKET D5 X 1.8 VITON	
34	5220202	SHAFT D8 X 65.2 OT	
35	7810606	RING D6 UNI 7434 R150	
36	5283025	TAP BODY	

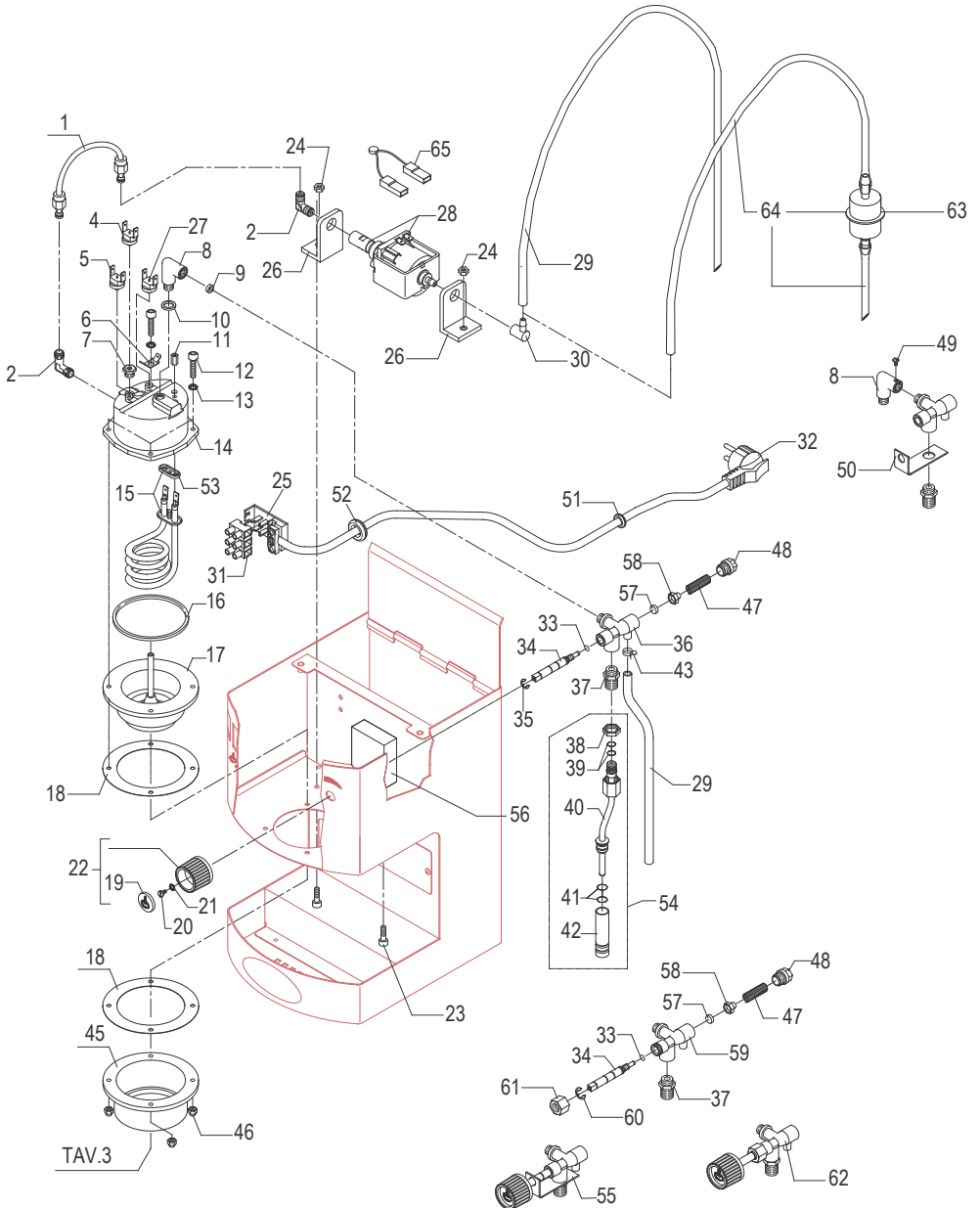
TABLE 2 (up to 01.10.10)





	<b>POS</b>	<b>CODE</b>	<b>DESCRIPTION</b>
<b>TABLE 2 (up to 01.10.10)</b>	37	5225251	FITTING M12 X M13 H23 OT
	38	5221801	NUT M13 H4 OT
	39	7496037	OR GASKET D6 X 2 VITON
	40	5162050CM	WATER/STEAM HOSE CHROMED
	41	7496003	OR GASKET 108 VITON
	42	5166003CM	HOSE D14 X 12 X 62 OT CHROMED
	43	7611515	CLAMP
	45	5280506CM	COUPLING RING CHROMED FOR INSTANTANEOUS GROUP
	46	7811601	SELF-LOCKING NUT M5 UNI 7474 A2
	47	5471528	TAP SPRING D0.8 X 28 AISI 302
	48	7305502	SPRING-HOLDER PLUG OT
	49	7816208	SCREW TCI M4X6 UNI 6107 A2
	50	5057823LW	TAP SQUARE
	51	7613003	FAIRLEAD M10V RUBBER
	51	7613007	FAIRLEAD M17V 3121145 RUBBER
	52	7613006	FAIRLEAD M15V 3211142 RUBBER
	52	7613004	FAIRLEAD
	53	7493005	HEATING ELEMENT GASKET
	54	5966505	ASSEMBLY COMPLETE WATER/STEAM HOSE
	55	5964008	ASSEMBLY TAP
	56	7499904LL	ADHESIVE SPONGE 55X55X20
	57	7497005	GASKET D9 X 3 VITON
	58	7305005	GASKET-HOLDER
	59	5283034	TAP BODY (NEW)
	60	7810605	RING D5 UNI 7434 A2
	61	5221866	NUT M13 X 1 ES.16 H11.5 HOLE D9 OT
	62	5964009	ASSEMBLY TAP (NEW)
63	7374015	FILTER	
64	5194551R	HOSE WITH FILTER	
65	7634816	THERMIC SAFETY DEVICE 100°C AUTOMATIC	

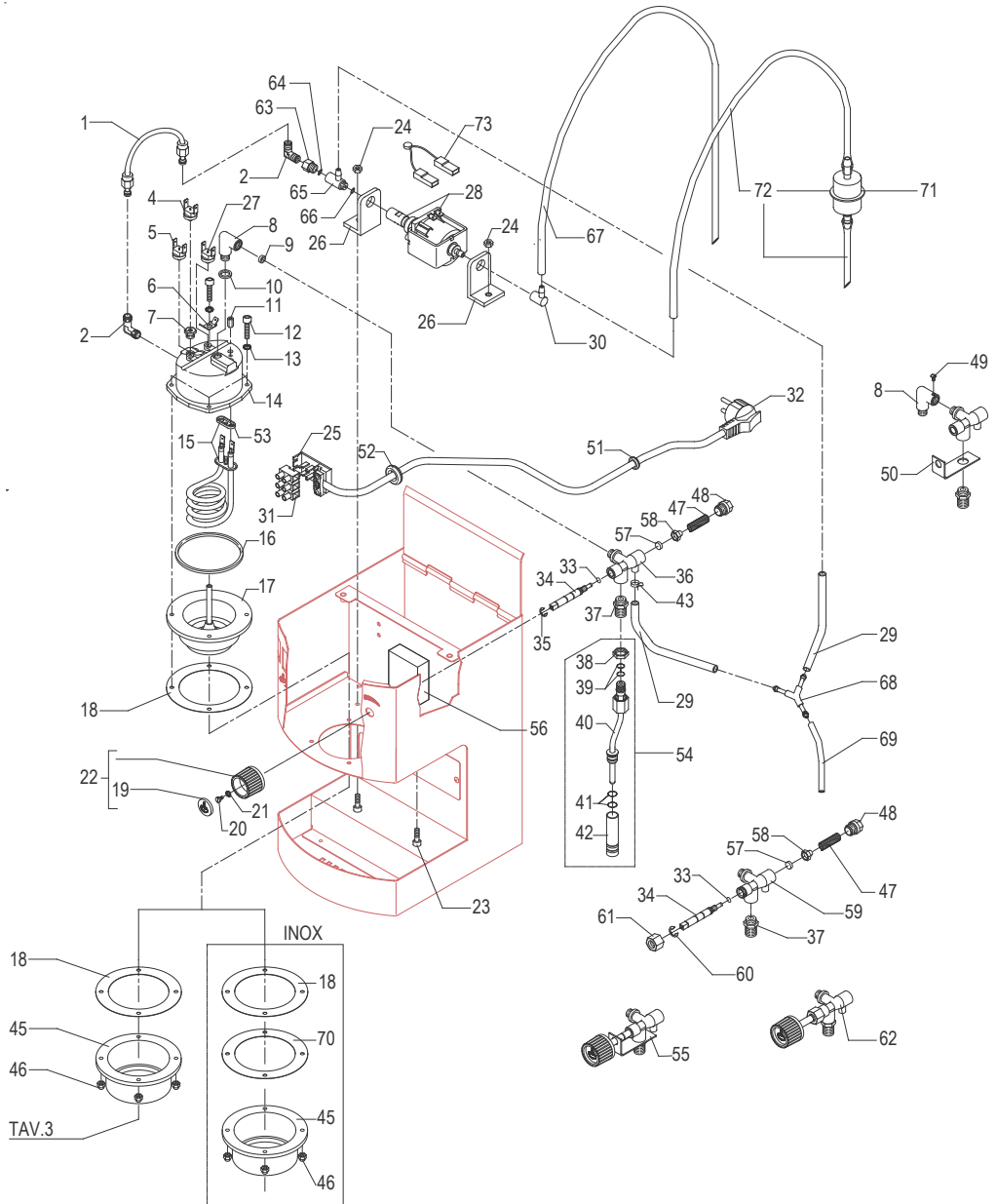
TABLE 2 (up to 01.10.10)



	<b>POS</b>	<b>CODE</b>	<b>DESCRIPTION</b>
<b>TABLE 2 (from 02.10.10)</b>	1	5194594LL	HOSE PTFE D4x1 L=120
	2	7303001TR	UNION ELBOW 1/8" G
	4	7634815	THERMIC SAFETY DEVICE 250V 140°C AUTOMATIC
	5	7634814	THERMIC SAFETY DEVICE 250V 162°C MANUAL
	6	7615002	DOUBLE FASTON 90° HOLE D6.3
	7	5226411TP	PLUG 1/8" G ES.12 H10 HOLE M4 OT
	8	5301514	UNION ELBOW 1/8" G X M10
	9	5494001	GASKET D8.5 X 5 X 3.2 PTFE
	10	5221858	WASHER D10 X 2 COPPER
	11	5222210	SPACER M4 H11
	12	7816021	SCREW TCEI M5X25 UNI 5931 A2
	13	7814002	NOTCHED WASHER D5 DIN 6798A A2
	14	5283023TT	UPPER BOILER D70 H59 OT
	15	5721201	HEATING ELEMENT 1100W 120V WITH GASKET
	15	5722424	HEATING ELEMENT 1100W 220/230V WITH GASKET
	15	5722428	HEATING ELEMENT 1100W 240V WITH GASKET
	16	7496060	OR GASKET 177 VITON
	17	5283021TT	BOTTOM BOILER D102 OT
	18	5492023	GASKET D103 X 73 X 0.5 ASBESTOS FREE
	19	5373901	STEAM PLUG D21
	20	7816205	SCREW TCI M4X10 UNI 6107 OT
	21	7814001	WASHER Ø 4
	22	5973001	COMPLETE STEAM KNOB
	23	7816001	SCREW TCEI M5X12 UNI5931 A2
	24	7811601	SELF-LOCKING NUT M5 UNI 7474 A2
	25	7370502	CLAMP HOUSING
	26	7470602	VIBRATION-DAMPING
	27	7634808	THERMIC SAFETY DEVICE 250V 95°C AUTOMATIC
	28	7731018	VIBRATION PUMP EX5 100V C/OR
	28	7731019	VIBRATION PUMP EX5 120V WITH OR
	28	7731022	VIBRATION PUMP EX5 220V 60HZ WITH OR
	28	7731020	VIBRATION PUMP EX5 230V WITH OR
	28	7731021	VIBRATION PUMP EX5 240V WITH OR
	29	5194586	HOSE D8X5 L=200MM SILICONE
	30	7303006	RUBBER-HOLDER FITTING
	31	7612508	CLAMP
32	7552001	CABLE WITH AUSTRALIAN PLUG	
32	7555001	CABLE WITH SCHUKO PLUG	
32	7551001	CABLE WITH USA PLUG 125V 15A	
32	7551003	CABLE WITH USA PLUG 250V 20A	
32	7554001	CABLE WITH ENGLISH PLUG	
32	7555003	CABLE WITH SWITZERLAND PLUG	
33	7496065	OR GASKET D5 X 1.8 VITON	
34	5220202	SHAFT D8 X 65.2 OT	
35	7810606	RING D6 UNI 7434 R150	
36	5283025	TAP BODY	

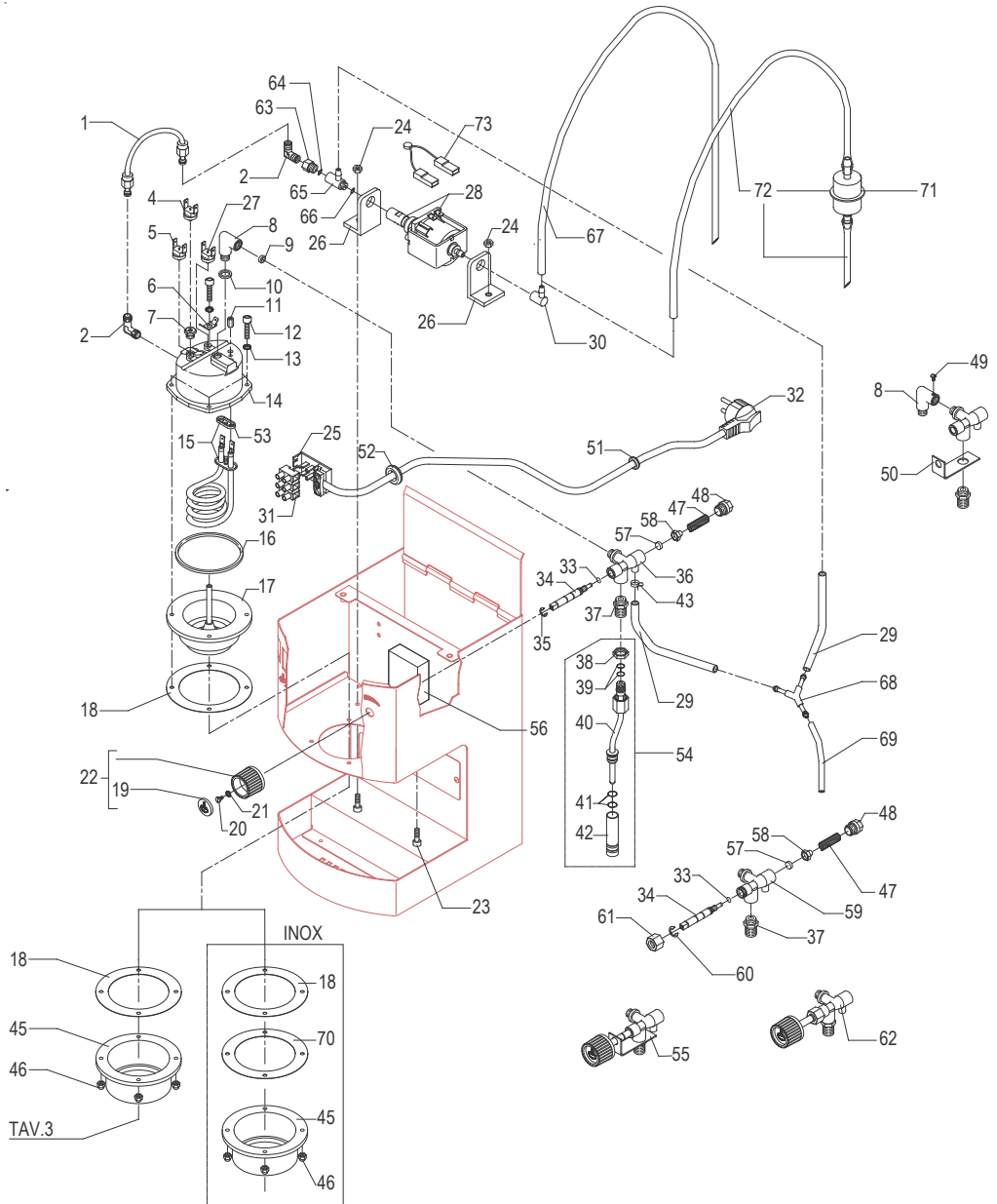


**TABLE 2 (from 02.10.10)**



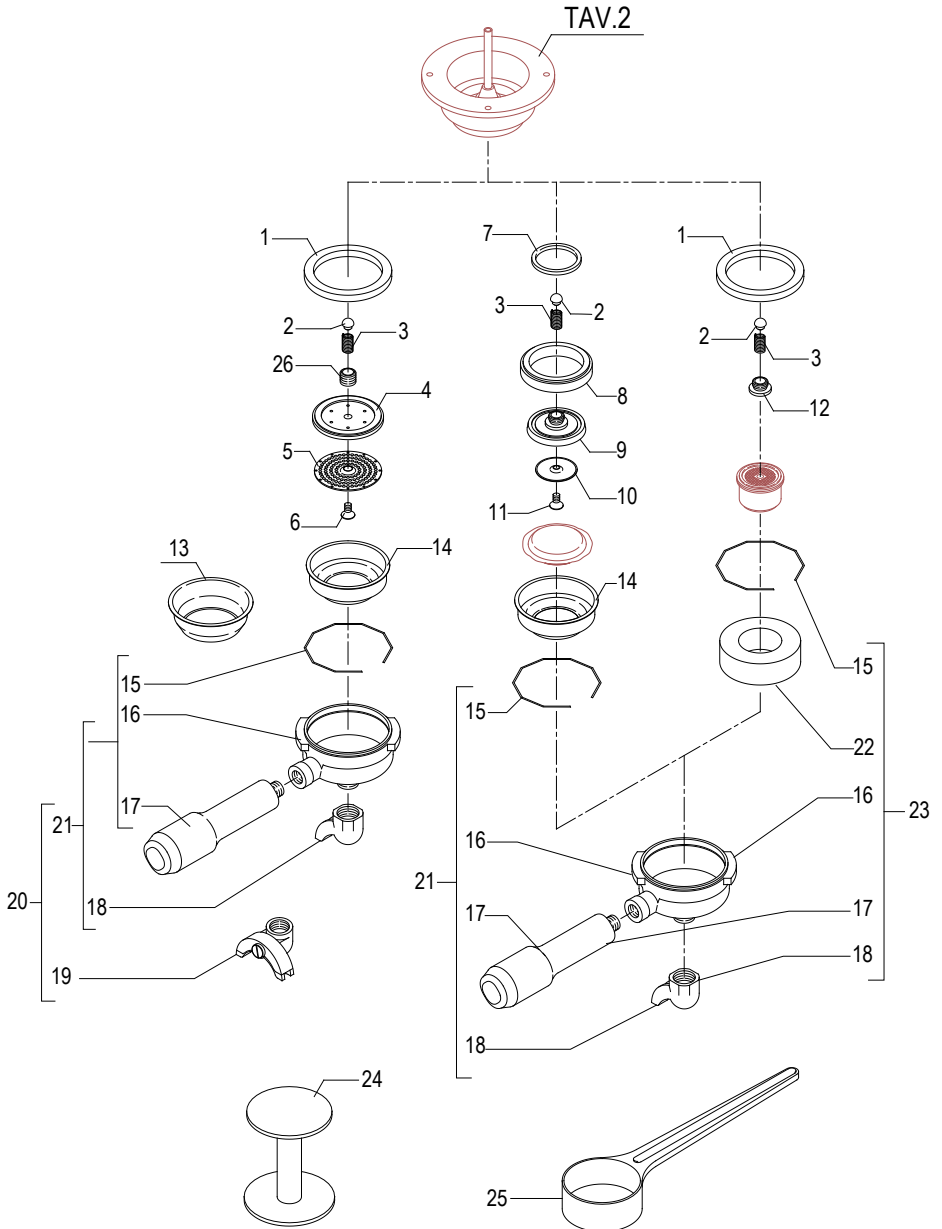
	<b>POS</b>	<b>CODE</b>	<b>DESCRIPTION</b>	
<b>TABLE 2 (from 02.10.10)</b>	37	5225251	FITTING M12 X M13 H23 OT	
	38	5221801	NUT M13 H4 OT	
	39	7496037	OR GASKET D6 X 2 VITON	
	40	5162050CM	WATER/STEAM HOSE CHROMED	
	41	7496003	OR GASKET 108 VITON	
	42	5166003CM	HOSE D14 X 12 X 62 OT CHROMED	
	43	7611515	CLAMP	
	45	5280506CM	COUPLING RING CHROMED FOR INSTANTANEOUS GROUP	
	46	7811601	SELF-LOCKING NUT M5 UNI 7474 A2	
	47	5471528	TAP SPRING D0.8 X 28 AISI 302	
	48	7305502	SPRING-HOLDER PLUG OT	
	49	7816208	SCREW TCI M4X6 UNI 6107 A2	
	50	5057823LW	TAP SQUARE	
	51	7613003	FAIRLEAD M10V RUBBER	
	51	7613007	FAIRLEAD M17V 3121145 RUBBER	
	52	7613006	FAIRLEAD M15V 3211142 RUBBER	
	52	7613004	FAIRLEAD	
	53	7493005	HEATING ELEMENT GASKET	
	54	5966505	ASSEMBLY COMPLETE WATER/STEAM HOSE	
	55	5964008	ASSEMBLY TAP	
	56	7499904LL	ADHESIVE SPONGE 55X55X20	
	57	7497005	GASKET D9 X 3 VITON	
	58	7305005	GASKET-HOLDER	
	59	5283034	TAP BODY (NEW)	
	60	7810605	RING D5 UNI 7434 A2	
	61	5221866	NUT M13 X 1 ES.16 H11.5 HOLE D9 OT	
	62	5964009	ASSEMBLY TAP (NEW)	
	63	5225411TP	FITTING 1/8" G MF	
	64	7496085	OR GASKET D7.2X1.9 NBR 70SH	
	65	7452512	VALVE	
	66	7496018	OR GASKET 105 VITON	
	67	-	SEE POS. 72	
	68	7303033	FITTING "Y"	
	69	5194540	HOSE D8X5 L=300MM SILICONE	
	70	5492027	GASKET D103 X 73 X 0.3 ASBESTOS FREE	
	71	7374015	FILTER	
	72	5194551R	HOSE WITH FILTER	
	73	7634816	THERMIC SAFETY DEVICE 100°C AUTOMATIC	

**TABLE 2 (from 02.10.10)**



	<b>POS</b>	<b>CODE</b>	<b>DESCRIPTION</b>
<b>TABLE 3 (up to 31.12.09)</b>	1	5493028	GASKET D68 X 54 X 6 EPDM 75SH
	2	5493021	PLUG GASKET OF VALVE SILICONE
	3	5471516	SPRING D6 H14 AISI 302
	4	5285504	SHOWER-HOLDER D56 OT
	5	5470504	SHOWER D51.9 WITH NET AISI 304 (OLD TYPE)
	5	5470506	SHOWER D51.9 WITHOUT NET
	6	7817603	SCREW TPS M5X8 UNI 5933 A2
	7	7496059	OR GASKET 3131 VITON
	8	5493020	GASKET D55 X 44 X 9 SILICONE
	9	5285503	SHOWER-HOLDER D45 OT
	10	5470507	SHOWER D32 AISI 304
	11	7817602	SCREW TPS M4X8 UNI 5933 A2
	12	5223021	JET M12 X 8.8 HOLE D1.5 OT
	13	5471015	FILTER 2 CUPS AISI 304
	14	5471014	FILTER 1 CUP AISI 304
	15	5471527	FILTER-HOLDER SPRING D1.2 AISI 302
	16	5286003CM	FILTER-HOLDER BODY OT CHROMED
	17	5965577.01	ASSEMBLY HANDLE
	18	7288505TW	SPOUT 1 WAY SHORT
	19	7288501TW	SPOUT 2 WAY SHORT
	20	5965518.02R	ASSEMBLY FILTER-HOLDER - GROUND COFFEE VERSION 2 WAY
	21	5965516.02R	ASSEMBLY FILTER-HOLDER - POD VERSION AND GROUND COFFEE1 WAY
	22	5195502	RING FOR CAPSULE ADAPTER (up to 06.04.08)
	22	5195510R	RING FOR CAPSULE 08 ADAPTER (from 07.04.08)
	23	5965578	ASSEMBLY FILTER-HOLDER POD VERSION (up to 06.04.08)
	23	5965517.02	ASSEMBLY FILTER-HOLDER POD 08 VERSION (from 07.04.08)
24	5373001	COFFEE-PRESS	
25	5372101	MEASURER	
26	5224013	SPRING-HOLDER RING NUT M12 X 9.5 AISI 303	

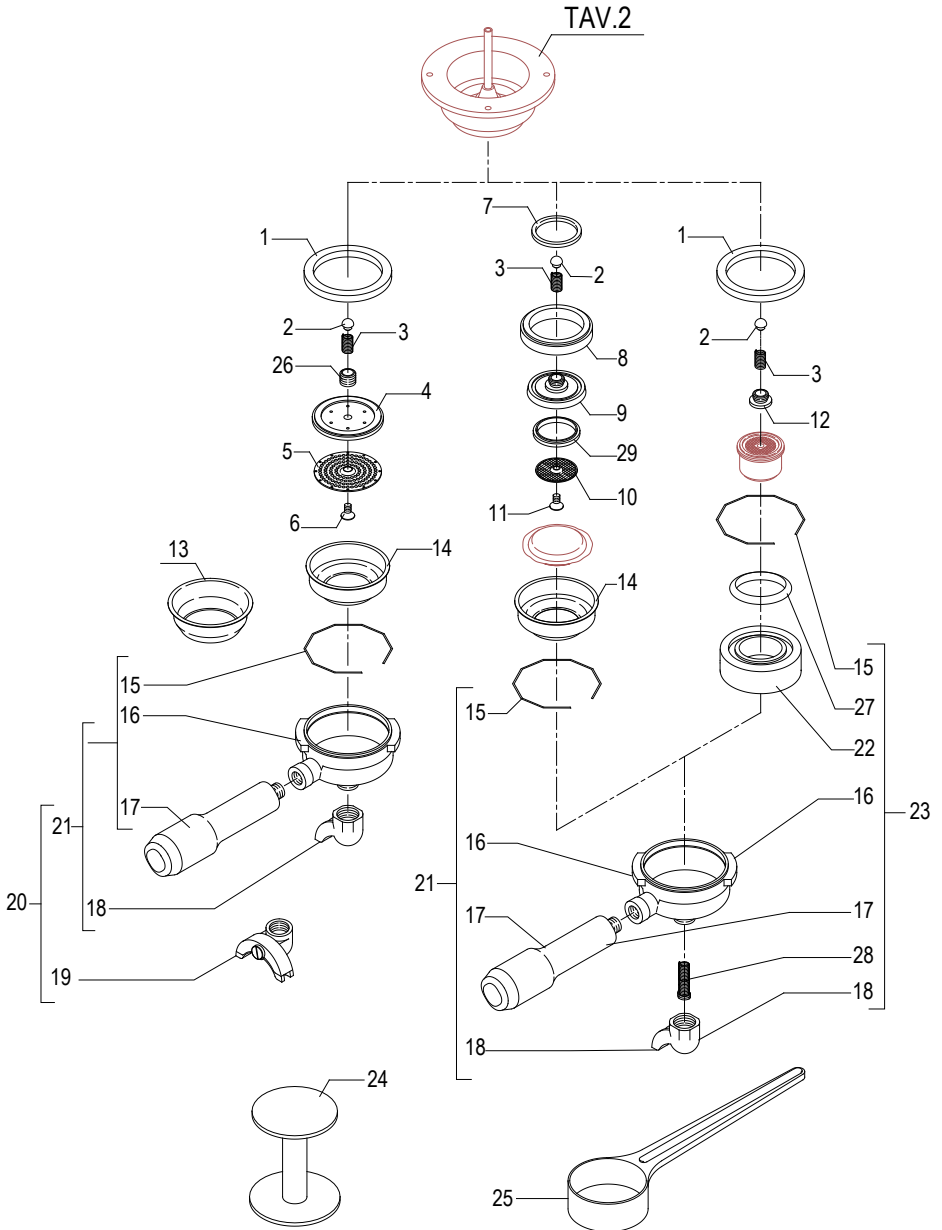
TABLE 3 (up to 31.12.09)



**TABLE 3 (from 01.01.10)**

POS	CODE	DESCRIPTION
1	5493028	GASKET D68 X 54 X 6 EPDM 75SH
2	5493021	PLUG GASKET OF VALVE SILICONE
3	5471516	SPRING D6 H14 AISI 302
4	5285504	SHOWER-HOLDER D56 OT
5	5470506	SHOWER D51.9 WITHOUT NET
6	7817603	SCREW TPS M5X8 UNI 5933 A2
7	7496059	OR GASKET 3131 VITON
8	5493020	GASKET D55 X 44 X 9 SILICONE
9	5285503	SHOWER-HOLDER D45 OT
10	5470507	SHOWER D32 AISI 304
11	7817602	SCREW TPS M4X8 UNI 5933 A2
12	5223021	JET M12 X 8.8 HOLE D1.5 OT
13	5471015	FILTER 2 CUPS AISI 304
14	5471014	FILTER 1 CUP AISI 304
15	5471527	FILTER-HOLDER SPRING D1.2 AISI 302
16	5286003CM	FILTER-HOLDER BODY OT CHROMED
17	5965577.01	ASSEMBLY HANDLE
18	7288505TW	SPOUT 1 WAY SHORT
19	7288501TW	SPOUT 2 WAY SHORT
20	5965518.02R	ASSEMBLY FILTER-HOLDER - GROUND COFFEE VERSION 2 WAY
21	5965516.02R	ASSEMBLY FILTER-HOLDER - POD VERSION AND GROUND COFFEE1 WAY
22	5195511	RING WITH OR FOR CAPSULE ADAPTER (up to 25.11.12)
22	5195511.01	RING WITH OR FOR CAPSULE ADAPTER (from 26.11.12)
23	5965575.02R	ASSEMBLY FILTER-HOLDER WITH OR POD VERSION 2008
24	5373001	COFFEE-PRESS
25	5372101	MEASURER
26	5224013	SPRING-HOLDER RING NUT M12 X 9.5 AISI 303
27	7497007	OR GASKET 143 (up to 25.11.12)
27	7497008	OR GASKET 38X6 NBR (from 26.11.12)
28	5471536	SPRING
29	5195509TP	SPACER RING

TABLE 3 (from 01.01.10)





**BEZZERA**

**Dal 1901**

G.BEZZERA

MACCHINE PER CAFFE' ESPRESSO

Via Luigi Bezzera,1

20088 Rosate - Milano - Italy

Tel. ++39 02 90848102 r.a. - Telefax ++39 02 90870287

Web: [www.g.bezzera.it](http://www.g.bezzera.it)

e-mail: [commerciale@bezzera.it](mailto:commerciale@bezzera.it)